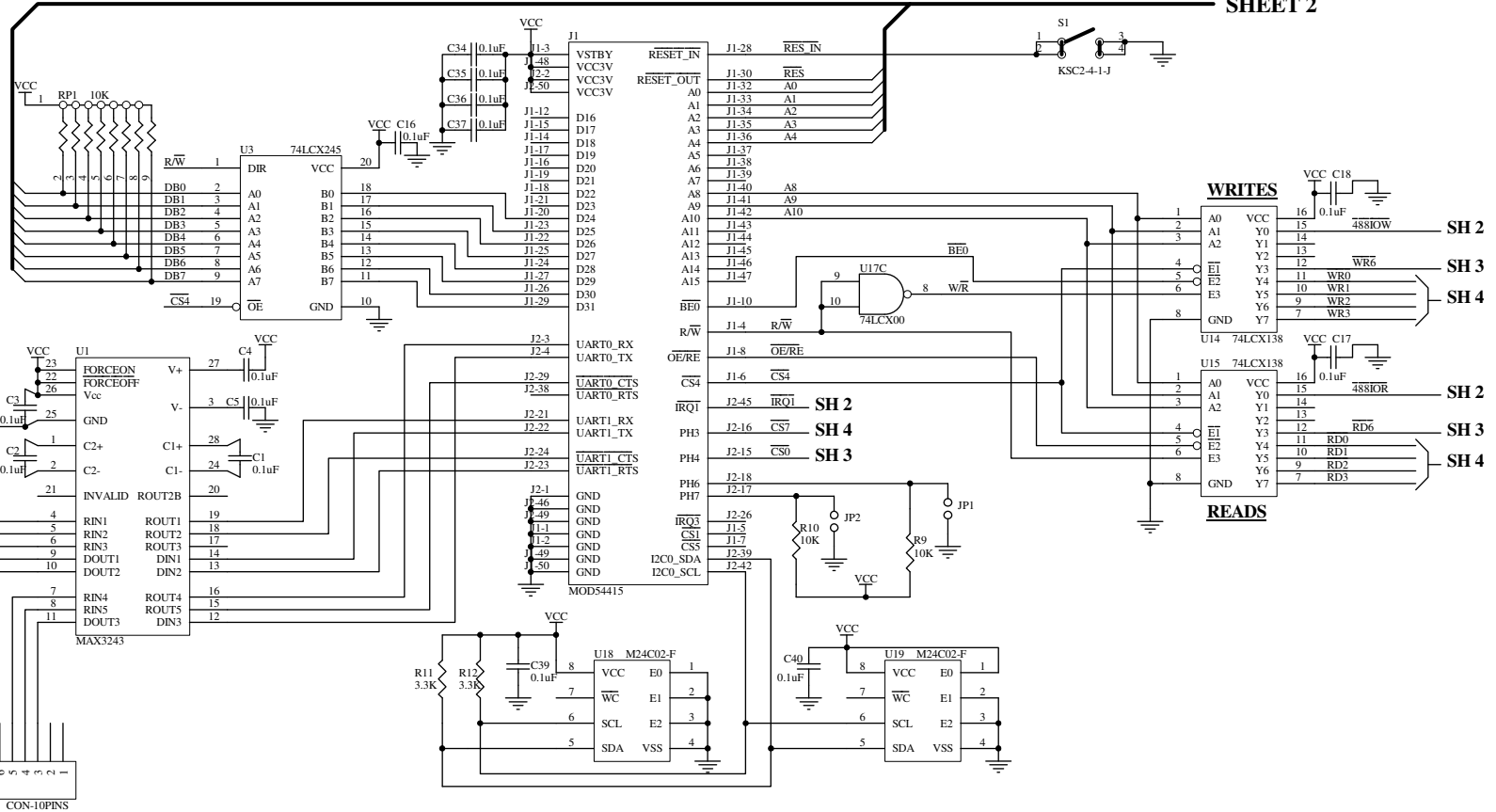
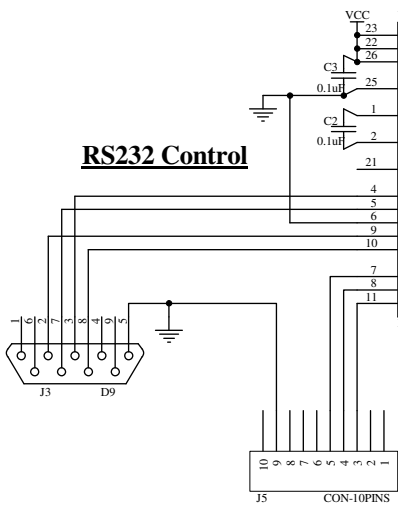


**MAIN CONTROLLER**

**SHEET 2**



**RS232 Control**

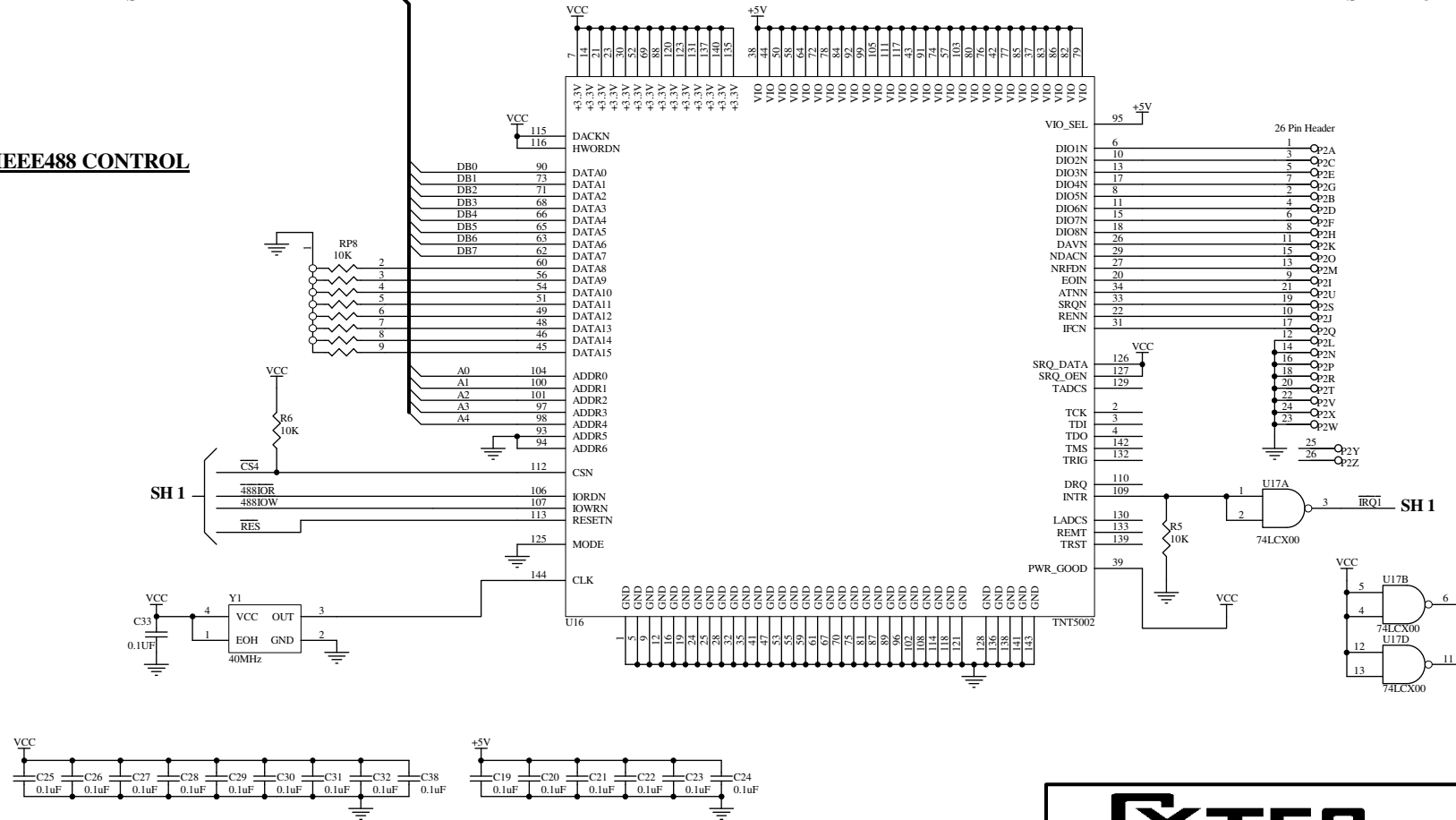


APPROVED BY	DRAWING NUMBER	DRAWN BY: KJA
DATE: 24-Oct-2022	11-21-50/01	REVISION: -
SIZE: B	TITLE: IF-12 Mainframe Ctrl Module	
11-21-50-01.sch		SHEET 1 OF 4

SHEET 1

SHEET 3

**IEEE488 CONTROL**

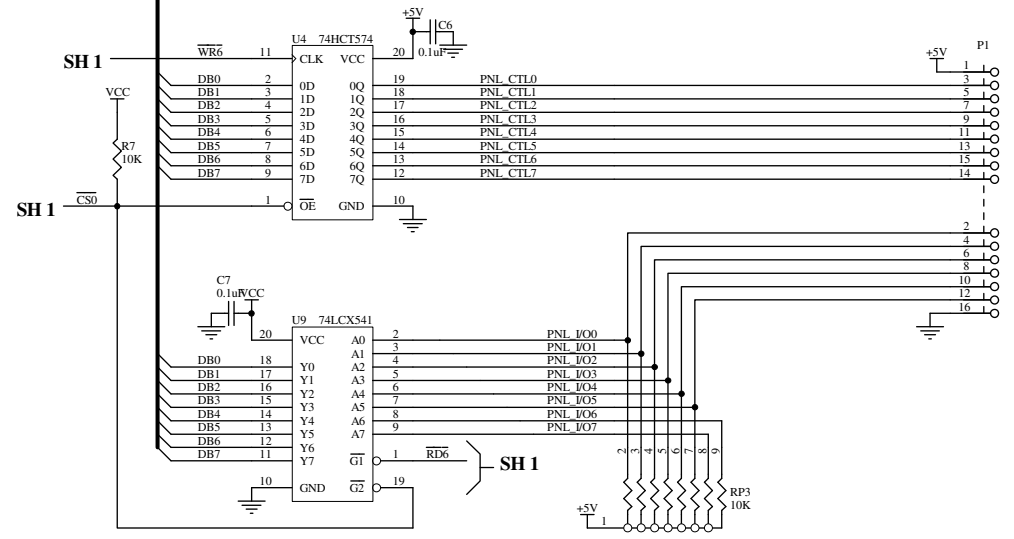


APPROVED BY	DRAWING NUMBER	DRAWN BY: KJA
DATE: 24-Oct-2022	11-21-50/02	REVISION: -
SIZE: B	TITLE: IF-12 Mainframe Ctrl Module	
11-21-50-02.sch		SHEET 2 OF 4

SHEET 2

SHEET 4

**LCD CTRL**



**FRONT PANEL  
INTERFACE  
HEADER**



APPROVED BY	DRAWING NUMBER	DRAWN BY: KJA
DATE: 24-Oct-2022	11-21-50/03	REVISION: -
SIZE: B	TITLE: IF-12 Mainframe Ctrl Module	
11-21-50-03.sch		SHEET 3 OF 4

**SHEET 3**

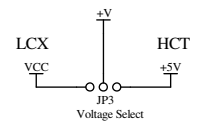
SH 1

SH 1

SH 1

SH 1

**CONTROL**



**YTEC CORP.**

APPROVED BY	DRAWING NUMBER	DRAWN BY: KJA
DATE: 24-Oct-2022	11-21-50/04	REVISION: -
SIZE: B	TITLE: IF-12 Mainframe Ctrl Module	
11-21-50-04.sch		SHEET 4 OF 4

