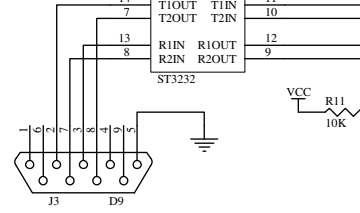
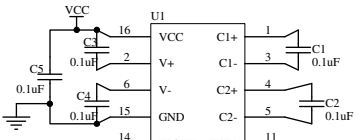
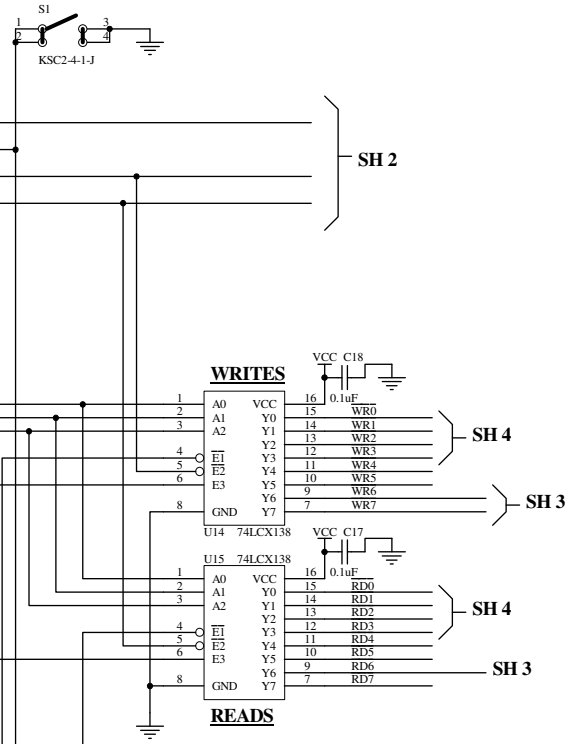
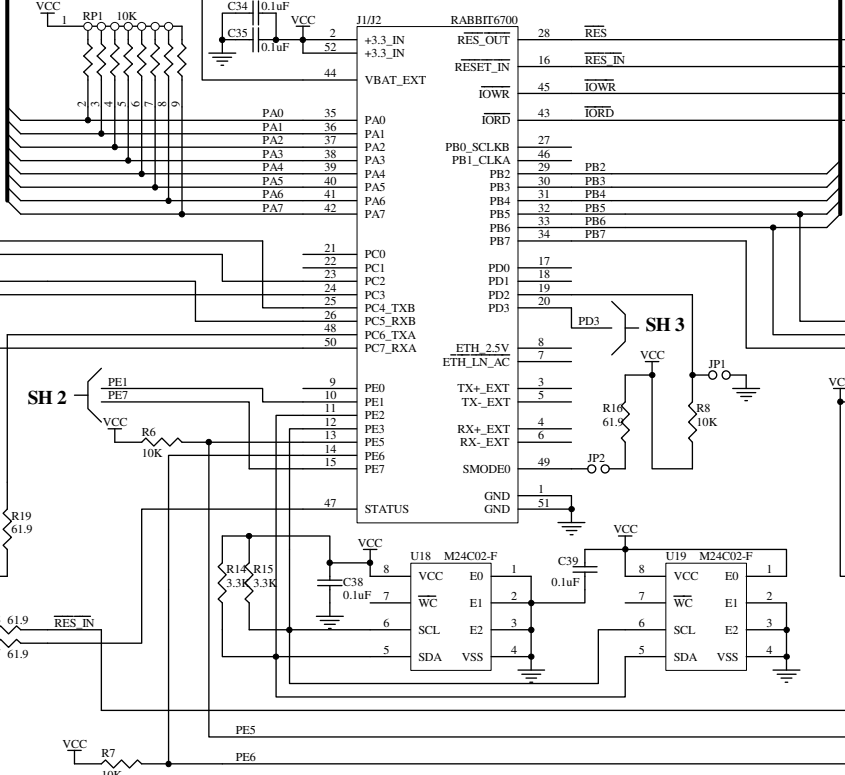
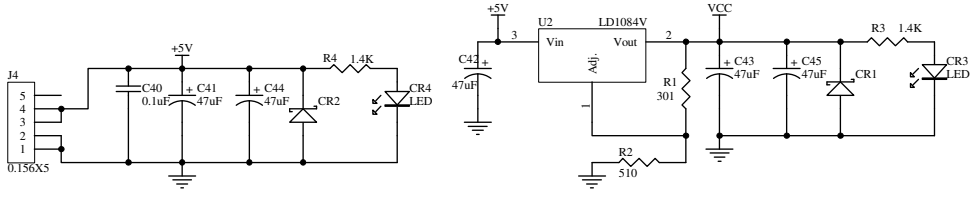
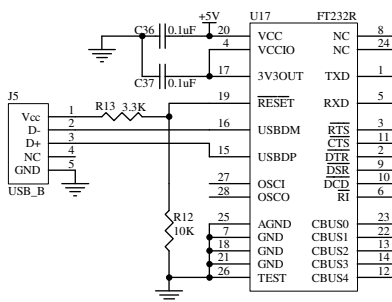


MAIN CONTROLLER

RS232 Control



USB Control



- Rev1 6/16/17: Changed U16 from TNT4882 to TNT5002
- Rev2 11/1/17: Changed U1 to ESD Safe Version
- Rev3 1/26/18: Changed Battery from Coin Cell to AA
- Rev4 11/11/20: Added Programmable Memory ICs U18 & U19

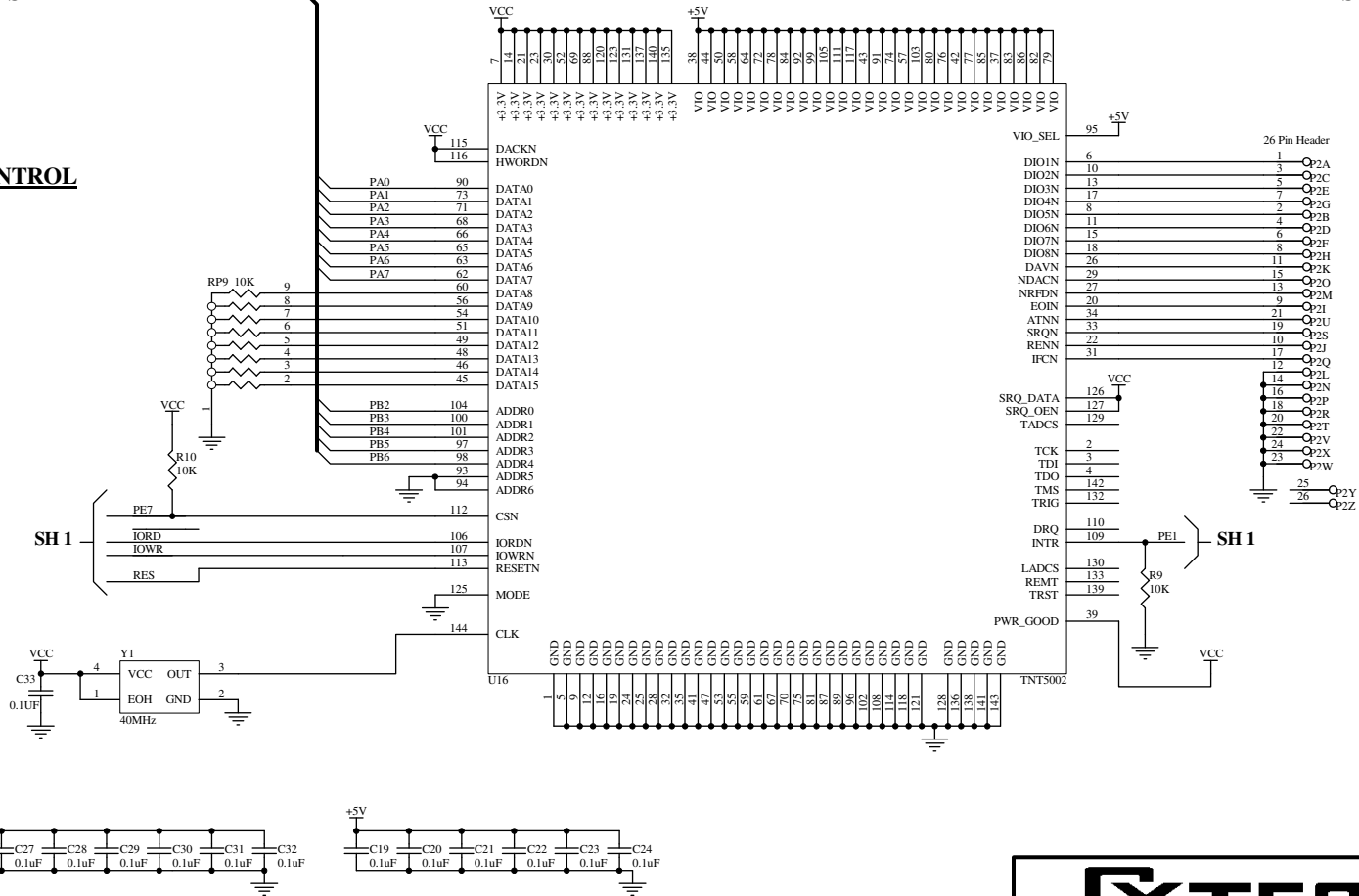


APPROVED BY	DRAWING NUMBER	DRAWN BY: KJA
DATE: 17-Feb-2021	11-14-50/01	REVISION: 4
SIZE: B	TITLE: IF-11 Mainframe Ctrl Module	
11-14-50-4-01.sch		SHEET 1 OF 4

SHEET 1

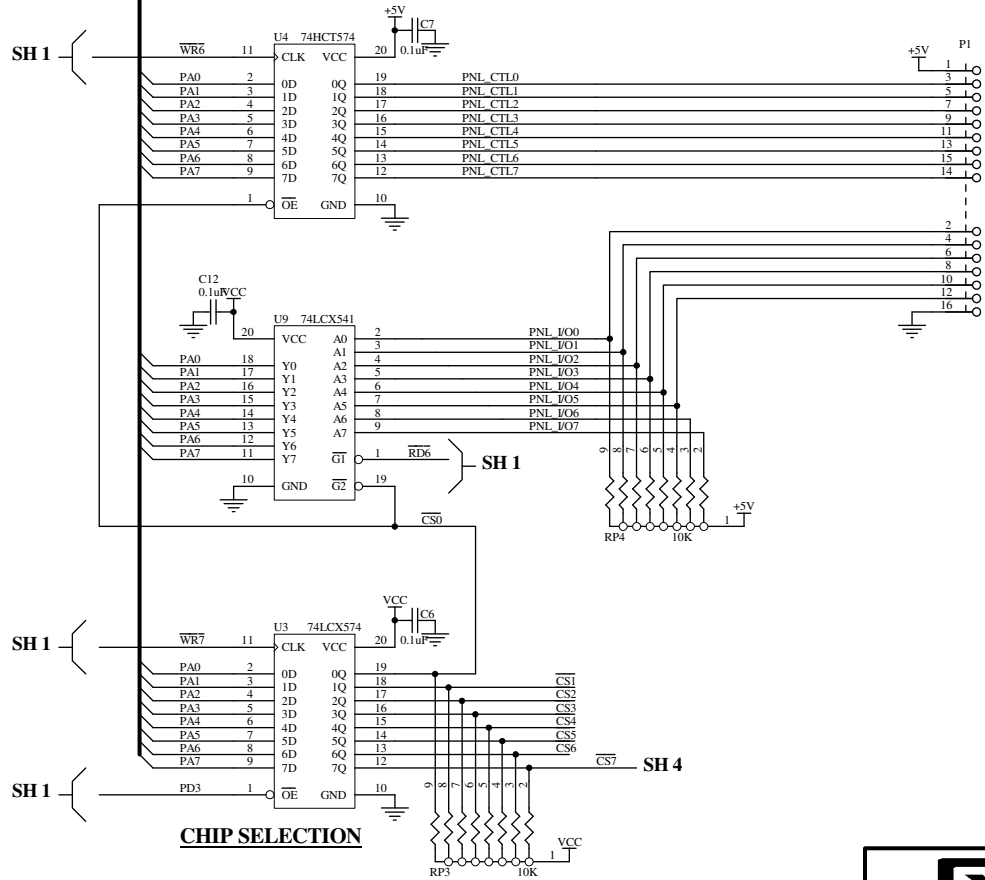
SHEET 3

IEEE488 CONTROL



APPROVED BY	DRAWING NUMBER	DRAWN BY: KJA
DATE: 17-Feb-2021	11-14-50/02	REVISION: 4
SIZE: B	TITLE: IF-11 Mainframe Ctrl Module	
11-14-50-4-02.sch		SHEET 2 OF 4

LCD CTRL

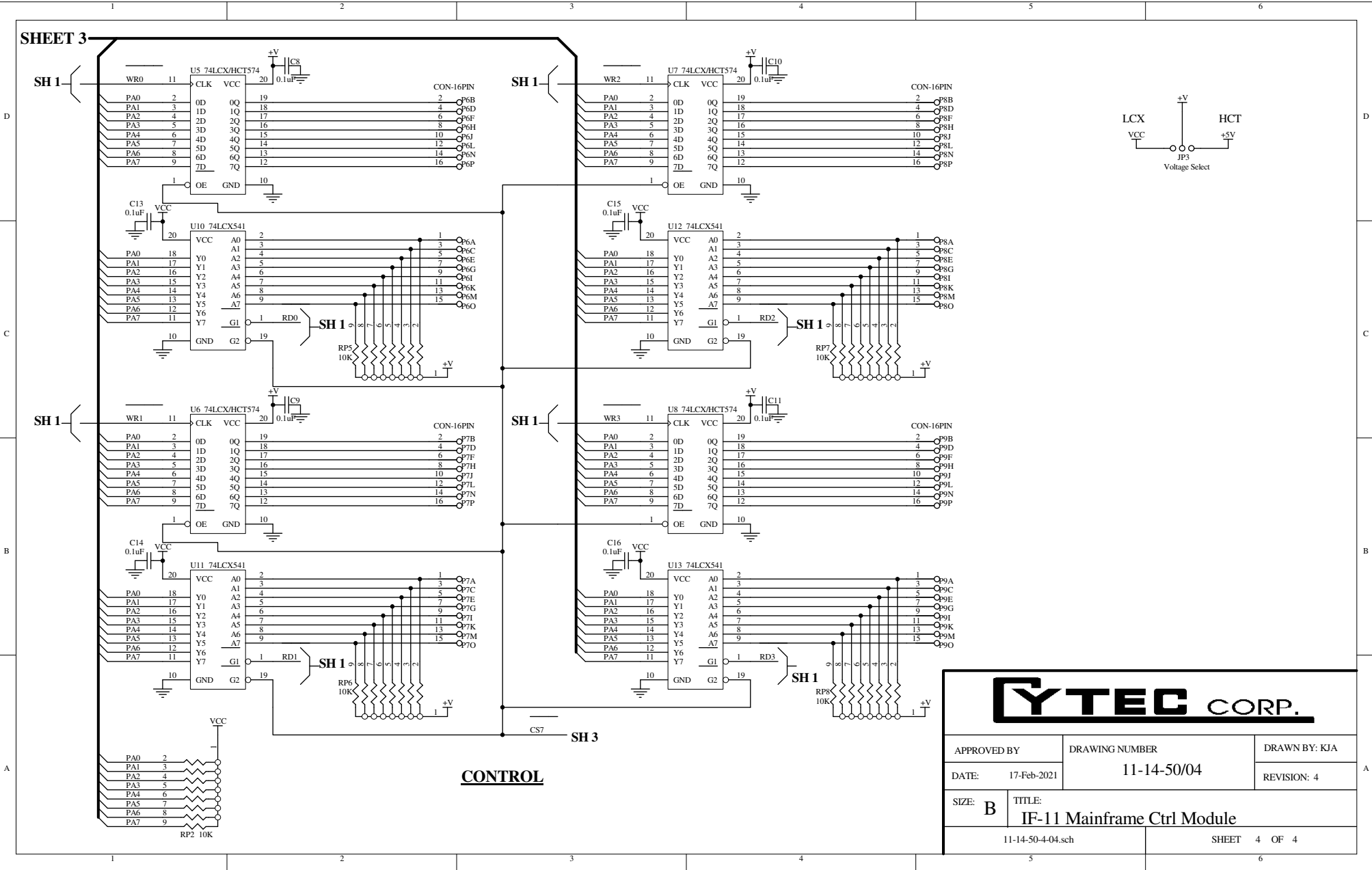


FRONT PANEL
INTERFACE
HEADER



APPROVED BY	DRAWING NUMBER	DRAWN BY: KJA
DATE: 17-Feb-2021	11-14-50/03	REVISION: 4
SIZE: B	TITLE: IF-11 Mainframe Ctrl Module	
11-14-50-4-03.sch		SHEET 3 OF 4

SHEET 3



CONTROL



APPROVED BY	DRAWING NUMBER	DRAWN BY: KJA
DATE: 17-Feb-2021	11-14-50/04	REVISION: 4
SIZE: B	TITLE: IF-11 Mainframe Ctrl Module	
11-14-50-4-04.sch		SHEET 4 OF 4