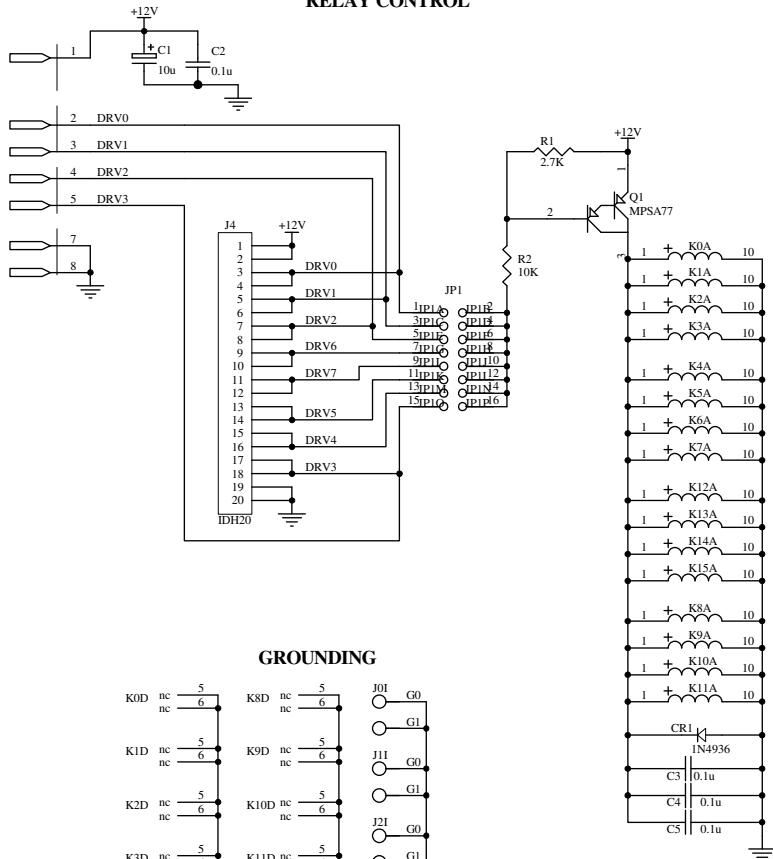
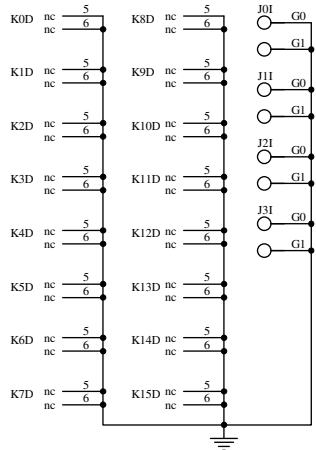


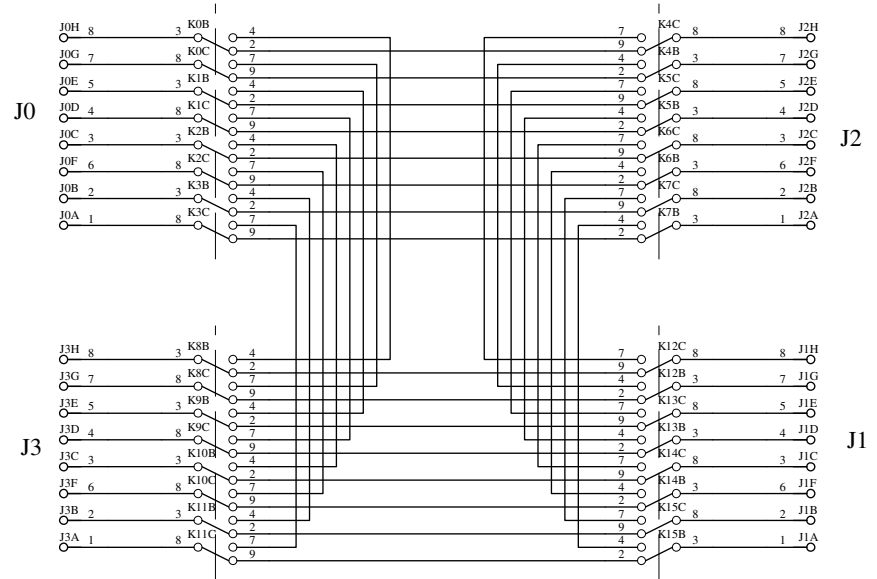
RELAY CONTROL



GROUNDING



CAT6a RJ45s



YTEC CORP.		
APPROVED BY	DRAWING NUMBER	DRAWN BY: KJA
DATE: 4-Feb-2016	63-03-50-1	REVISION:
SIZE: B	TITLE: RJE/2X2-8W Transfer Switch Module	
63-03-50-1.Sch		SHEET 1 OF 1