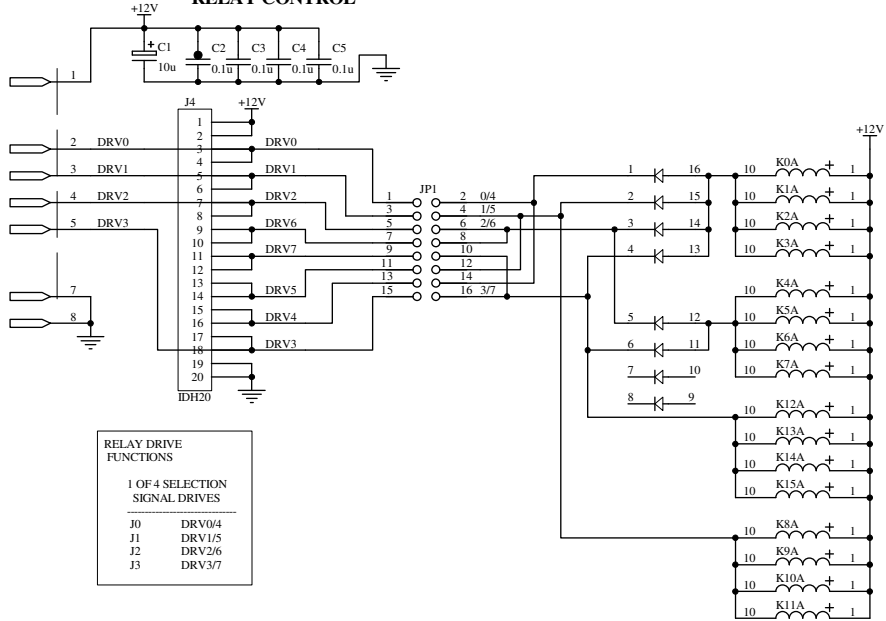


RELAY CONTROL

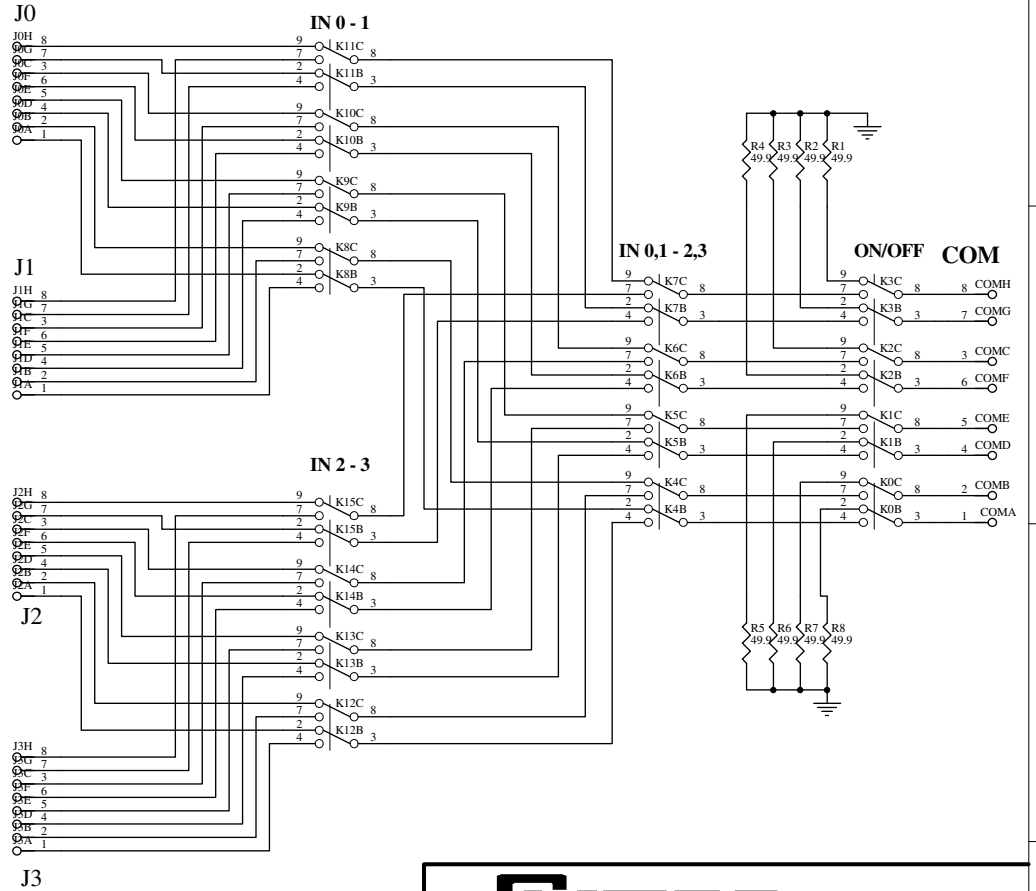
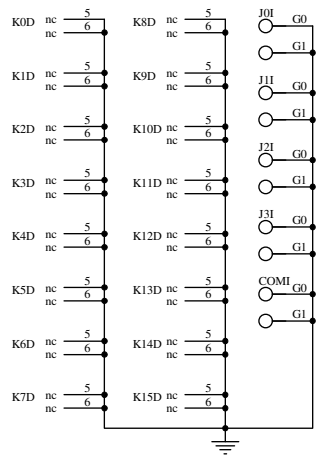


RELAY DRIVE FUNCTIONS

1 OF 4 SELECTION SIGNAL DRIVES

J0	DRV0/4
J1	DRV1/5
J2	DRV2/6
J3	DRV3/7

GROUNDS



APPROVED BY	DRAWING NUMBER	DRAWN BY: KJA
DATE: 2-May-2017	63-00-50-2	REVISION:
SIZE: B	TITLE: RJE/4X1-8W Switch Mod w/CAT6a Jacks	
63-00-50-2.Sch	SHEET 1 OF 1	