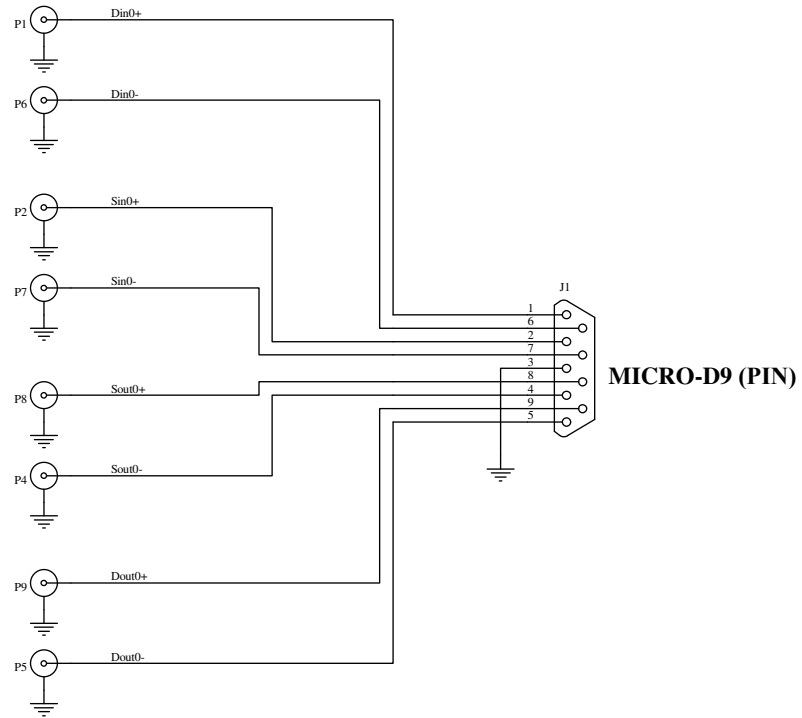


SMA's



MICRO-D9 (PIN)

YTEC CORP.

APPROVED BY	DRAWING NUMBER	DRAWN BY: KJA
DATE: 17-May-2016	48-33-50	REVISION:
SIZE: B	TITLE: SpaceWire (Micro-D9) To SMA Adapter Board	
48-33-50.sch	SHEET 1 OF 1	