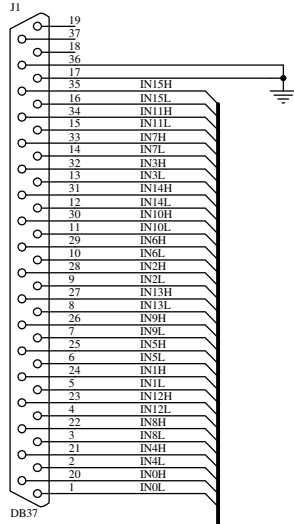
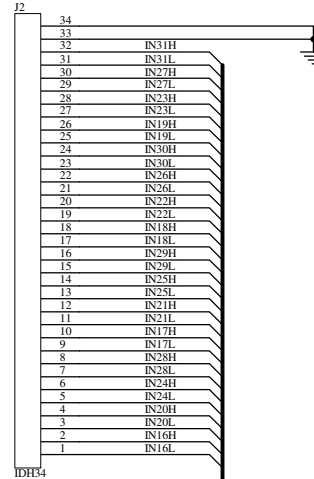


INPUT SIGNALS



DATA BUS 1 SHEETS 3-6

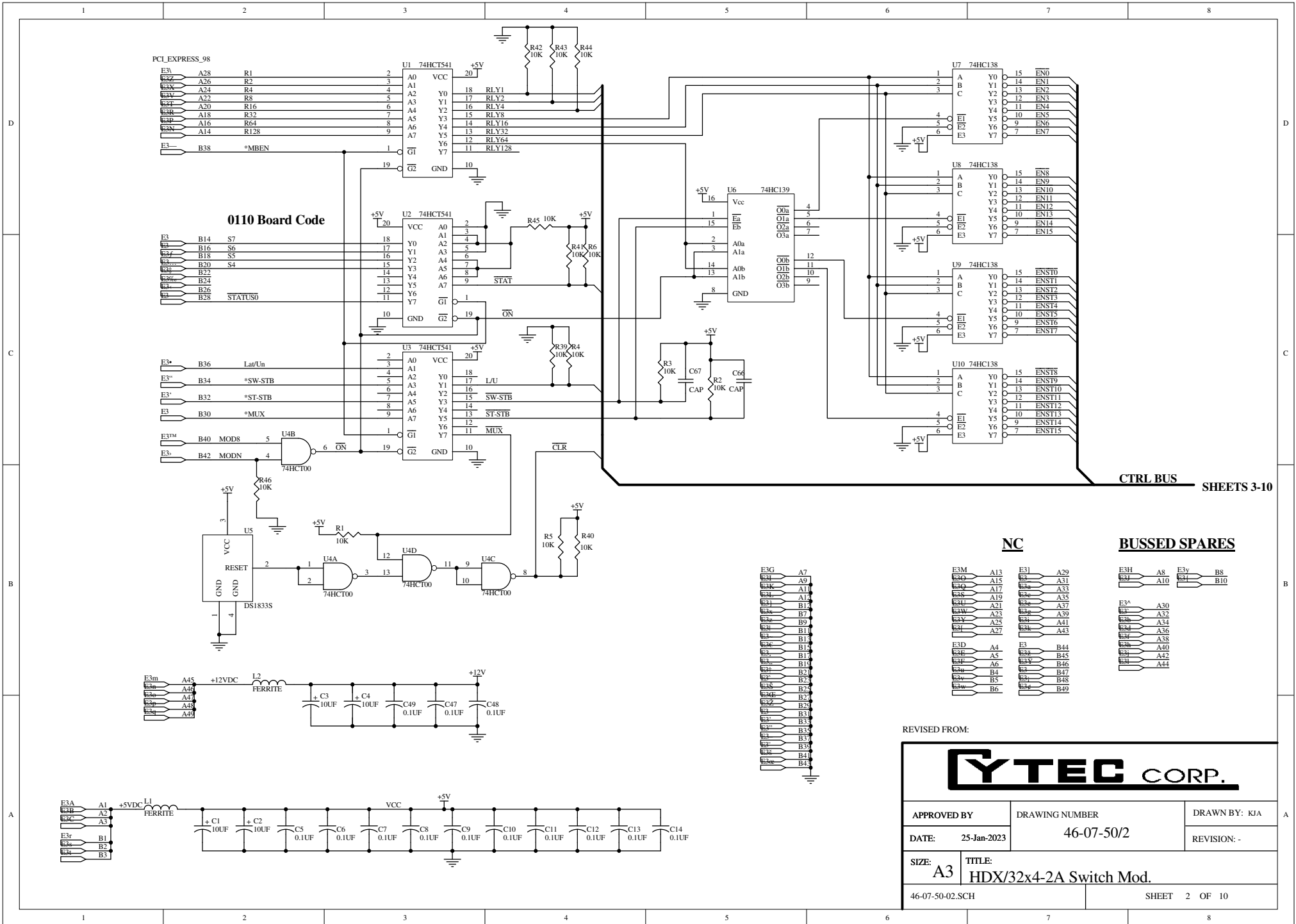


DATA BUS 2 SHEETS 7-10

REVISED FROM: 46-02-50



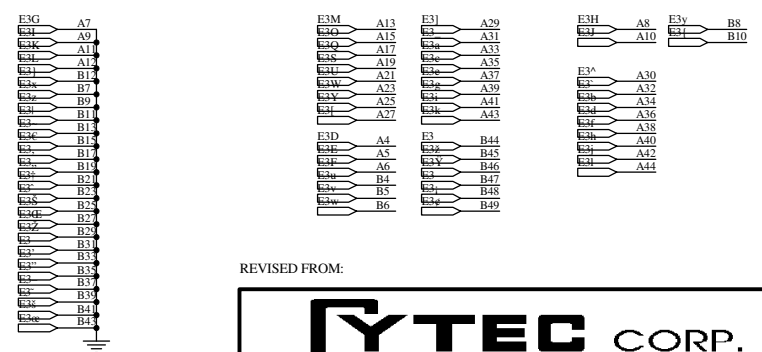
APPROVED BY		DRAWING NUMBER		DRAWN BY: KJA	
DATE: 25-Jan-2023		46-07-50/1		REVISION: -	
SIZE: A3		TITLE: HDX/32x4-2A Switch Mod.			
46-07-50-01.SCH				SHEET 1 OF 10	



CTRL BUS SHEETS 3-10

NC

BUSED SPARES

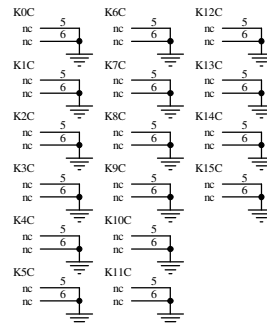
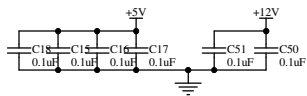
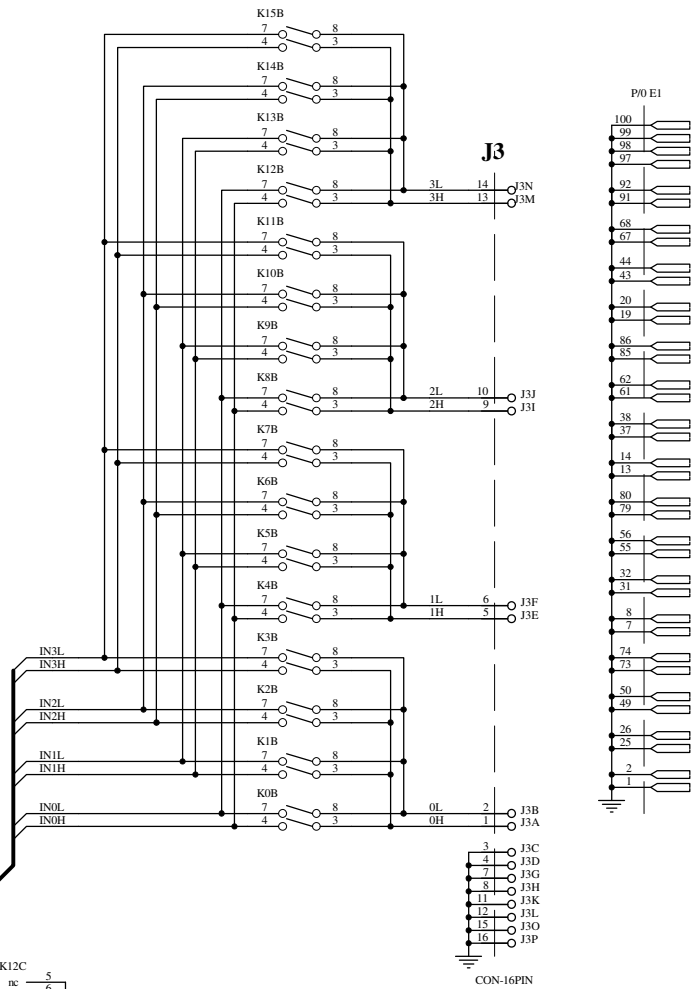
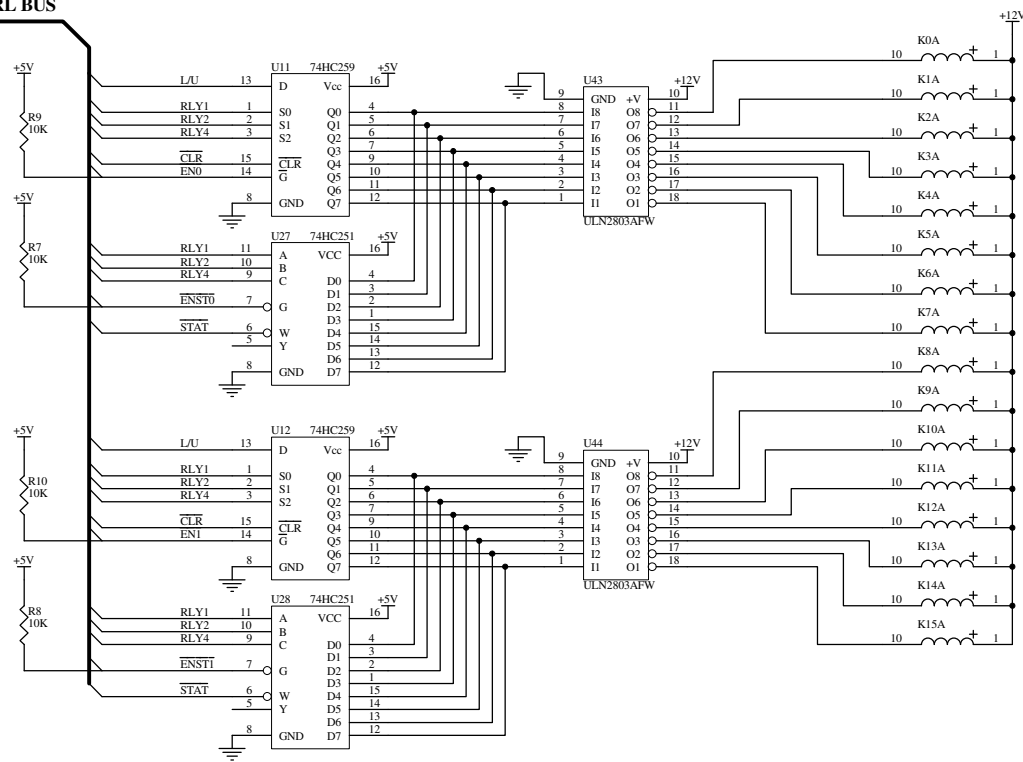


REVISED FROM:

YTEC CORP.		
APPROVED BY	DRAWING NUMBER	DRAWN BY: KJA
DATE: 25-Jan-2023	46-07-50/2	REVISION: -
SIZE: A3	TITLE: HDX/32x4-2A Switch Mod.	
46-07-50-02.SCH		SHEET 2 OF 10

SHEET 2 CTRL BUS

SHEET 1 DATA BUS 1

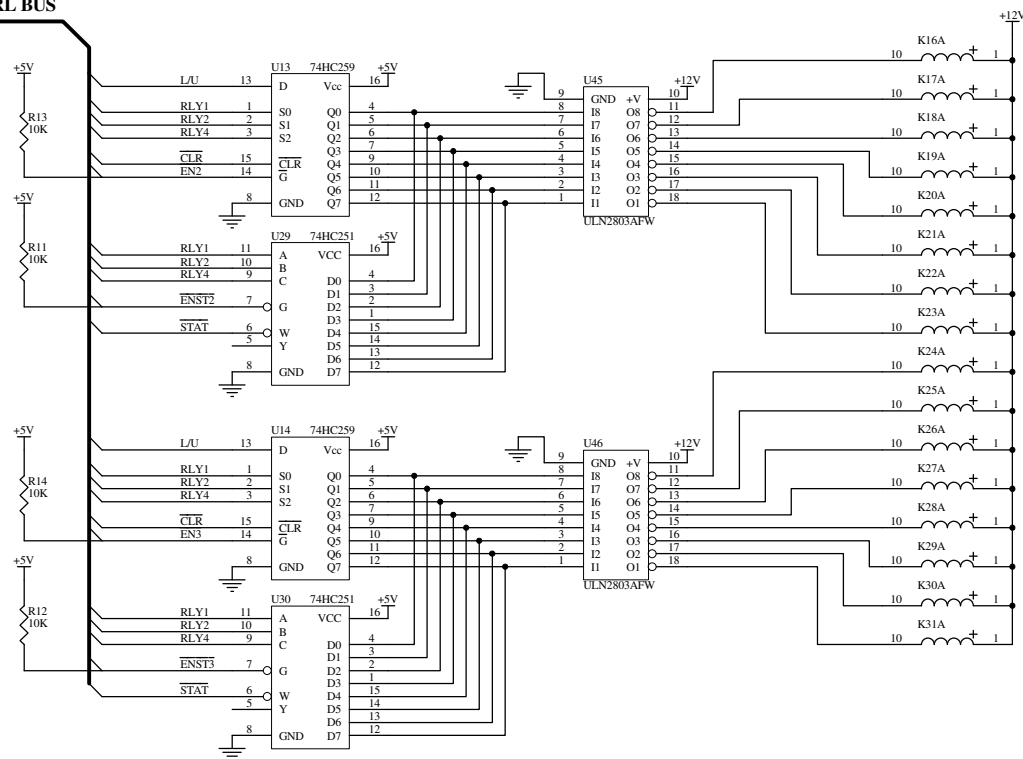


REVISED FROM:

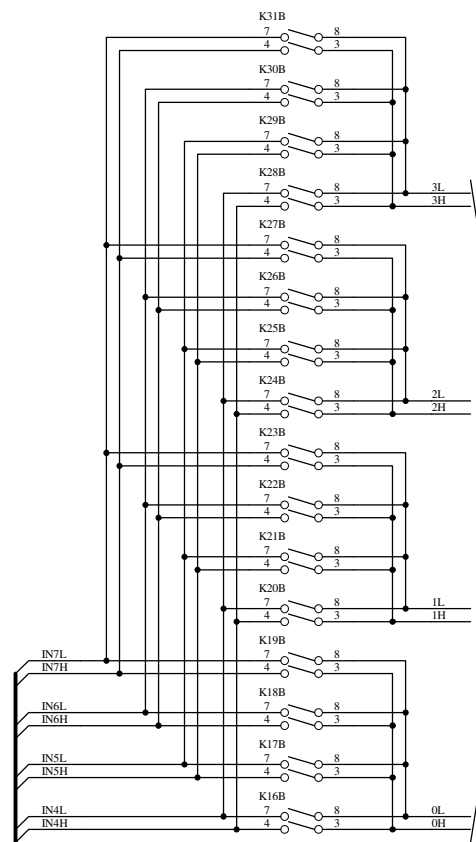
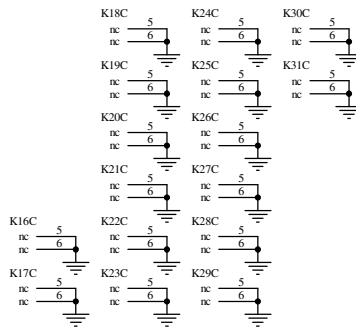
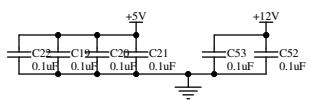


APPROVED BY	DRAWING NUMBER	DRAWN BY: KJA
DATE: 25-Jan-2023	46-07-50/3	REVISION: -
SIZE: A3	TITLE: HDX/32x4-2A Switch Mod.	
46-07-50-03.SCH		SHEET 3 OF 10

SHEET 2 CTRL BUS



SHEET 1 DATA BUS 1



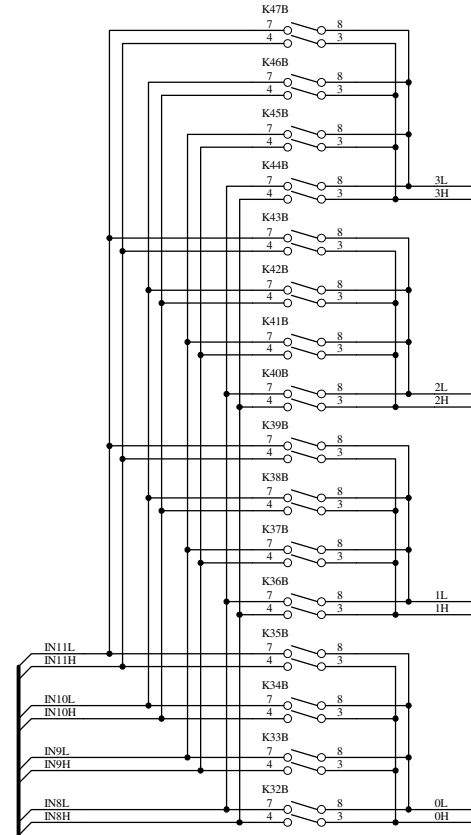
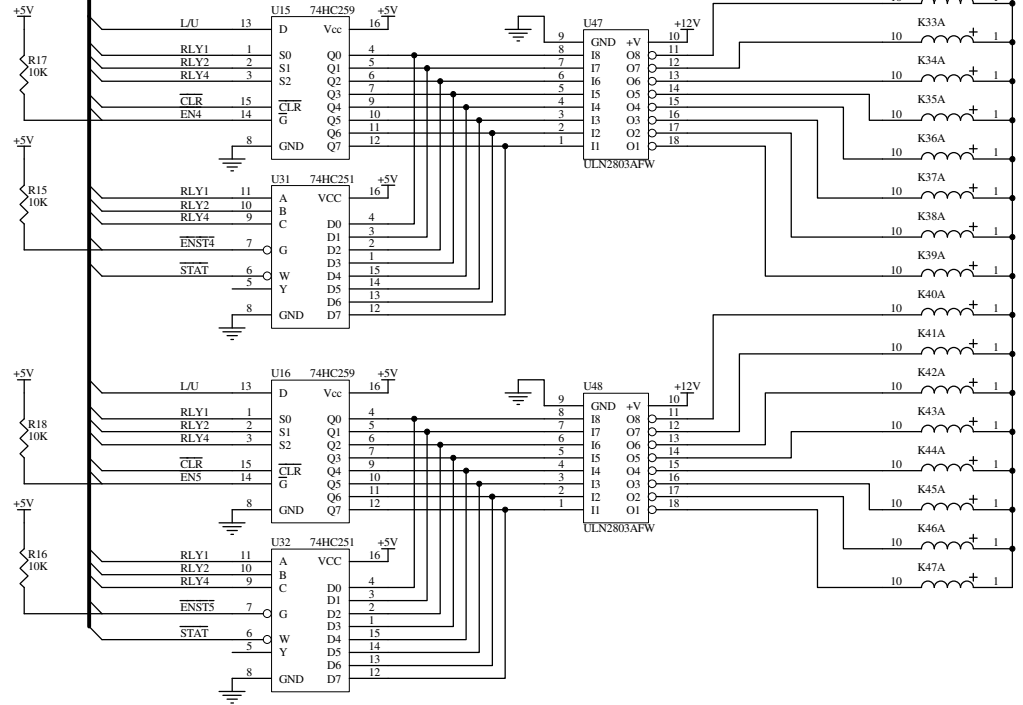
Sheet 3

REVISED FROM:



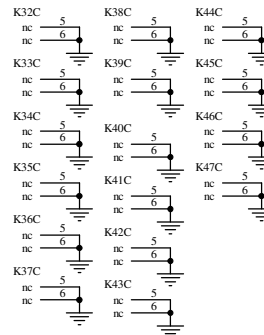
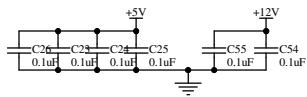
APPROVED BY	DRAWING NUMBER 46-07-50/4	DRAWN BY: KJA
DATE: 25-Jan-2023	REVISION: -	
SIZE: A3	TITLE: HDX/32x4-2A Switch Mod.	
46-07-50-04.SCH		SHEET 4 OF 10

SHEET 2 CTRL BUS



Sheet 3

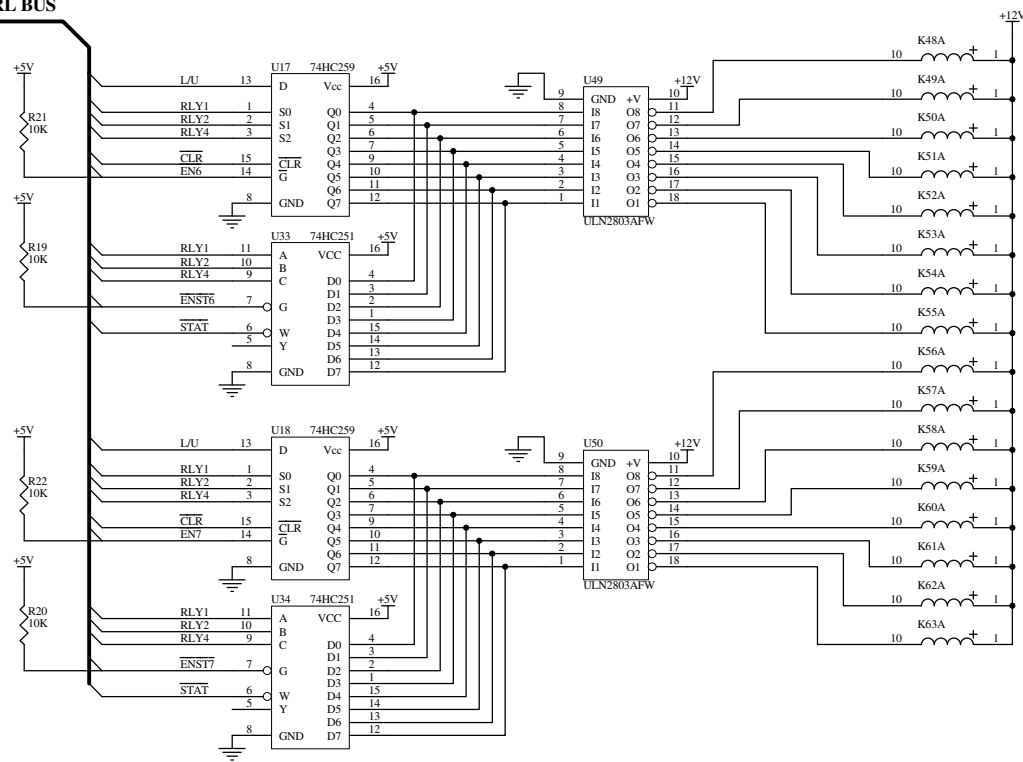
SHEET 1 DATA BUS 1



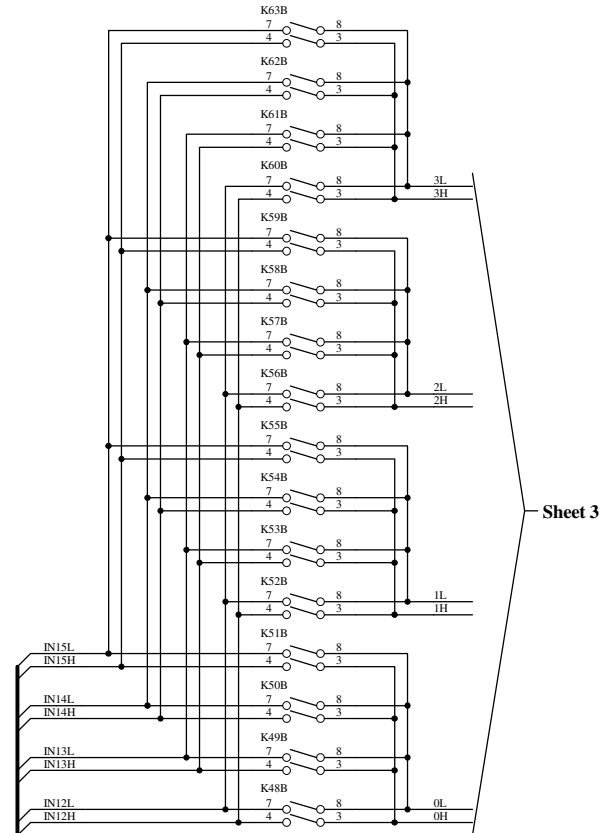
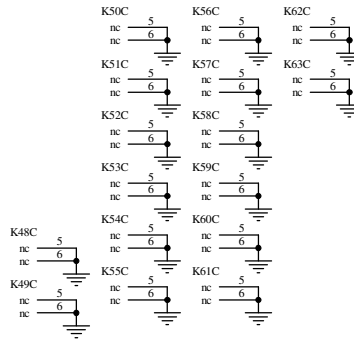
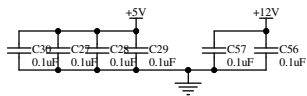
REVISED FROM:

YTEC CORP.		
APPROVED BY	DRAWING NUMBER	DRAWN BY: KJA
DATE: 25-Jan-2023	46-07-50/5	REVISION: -
SIZE: A3	TITLE: HDX/32x4-2A Switch Mod.	
46-07-50-05.SCH		SHEET 5 OF 10

SHEET 2 CTRL BUS



SHEET 1 DATA BUS 1

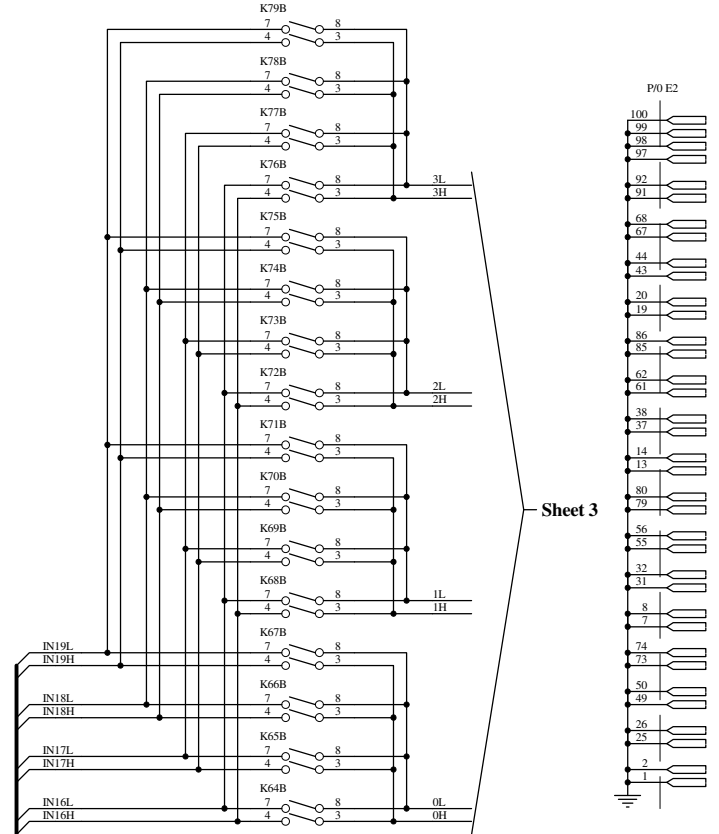
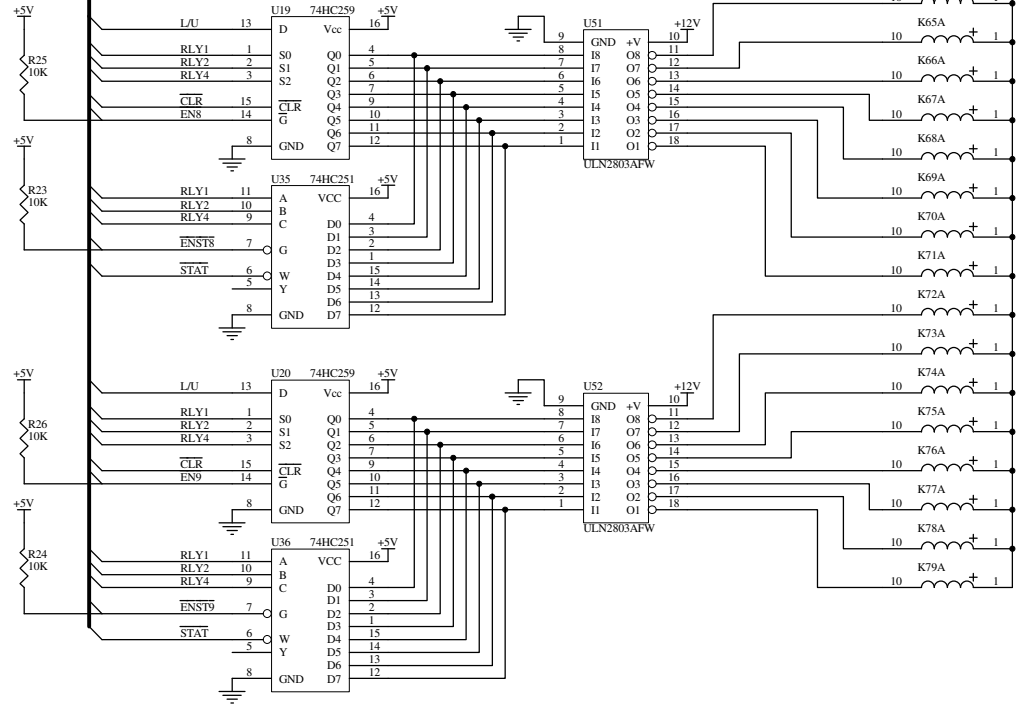


REVISED FROM:

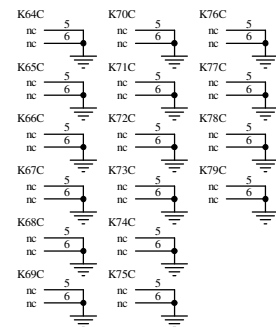
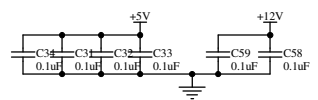


APPROVED BY	DRAWING NUMBER	DRAWN BY: KJA
DATE: 25-Jan-2023	46-07-50/6	REVISION: -
SIZE: A3	TITLE: HDX/32x4-2A Switch Mod.	
46-07-50-06.SCH		SHEET 6 OF 10

SHEET 2 CTRL BUS



SHEET 1 DATA BUS 2

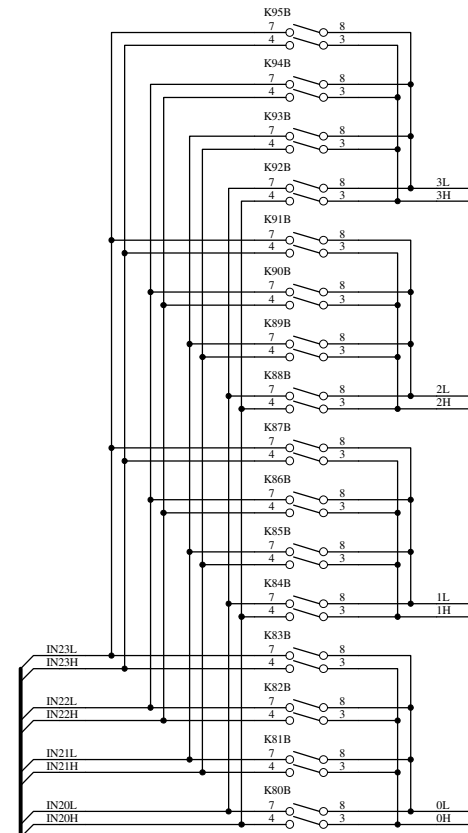
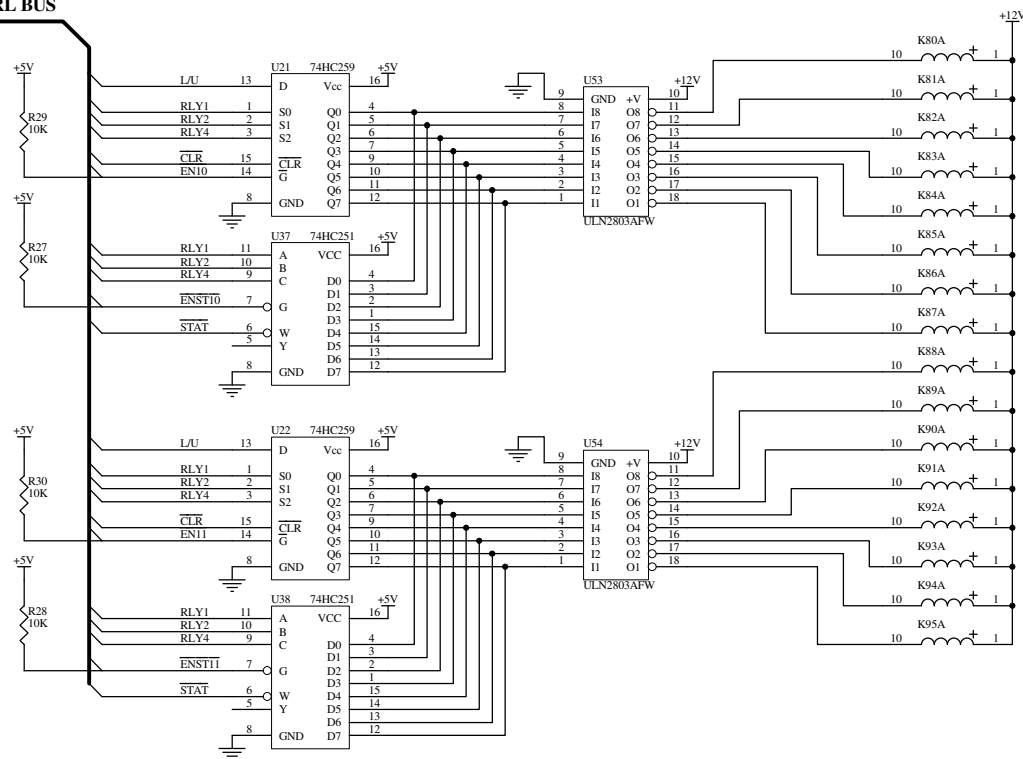


REVISED FROM:



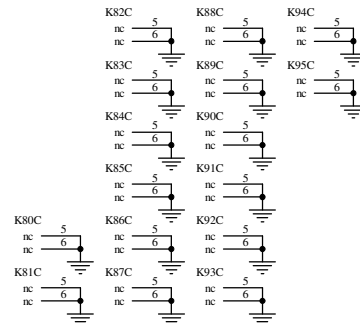
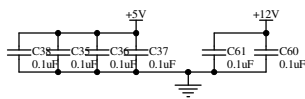
APPROVED BY	DRAWING NUMBER	DRAWN BY: KJA
DATE: 25-Jan-2023	46-07-50/7	REVISION: -
SIZE: A3	TITLE: HDX/32x4-2A Switch Mod.	
46-07-50-07.SCH		SHEET 7 OF 10

SHEET 2 CTRL BUS



Sheet 3

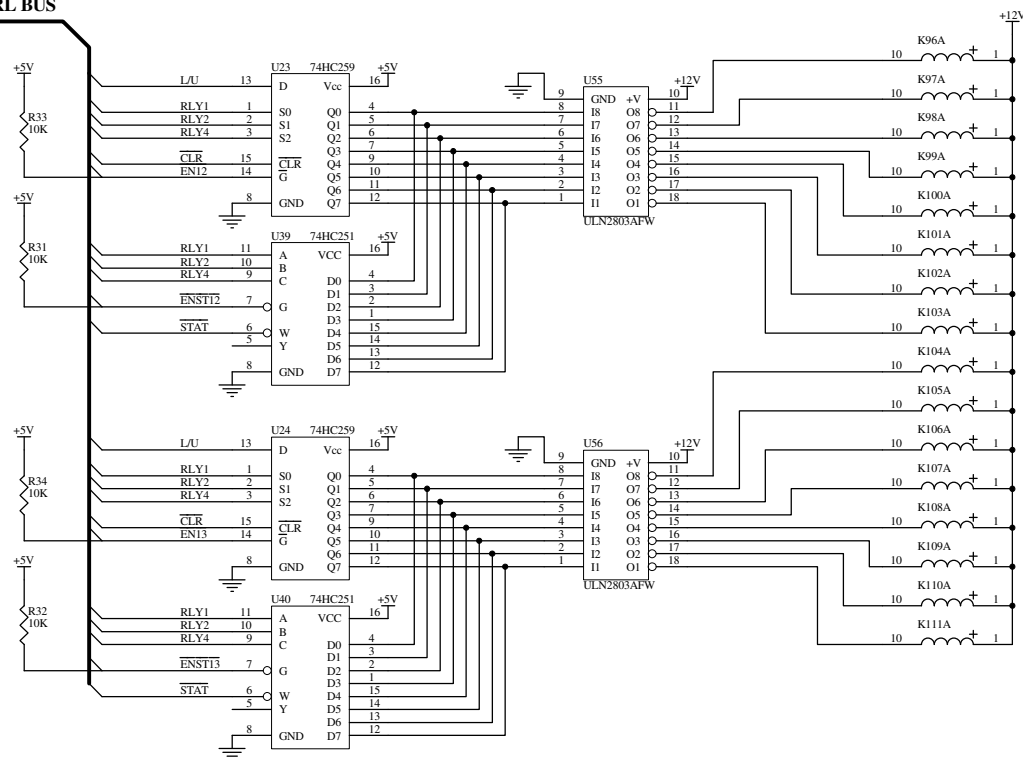
SHEET 1 DATA BUS 2



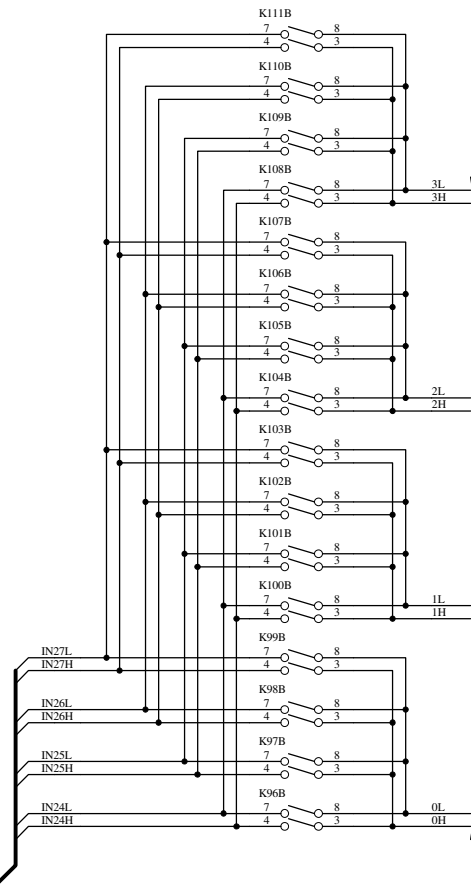
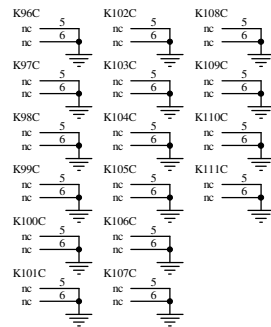
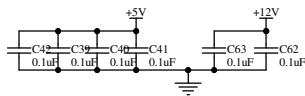
REVISED FROM:

YTEC CORP.		
APPROVED BY	DRAWING NUMBER	DRAWN BY: KJA
DATE: 25-Jan-2023	46-07-50/8	REVISION: -
SIZE: A3	TITLE: HDX/32x4-2A Switch Mod.	
46-07-50-08.SCH	SHEET 8 OF 10	

SHEET 2 CTRL BUS



SHEET 1 DATA BUS 2



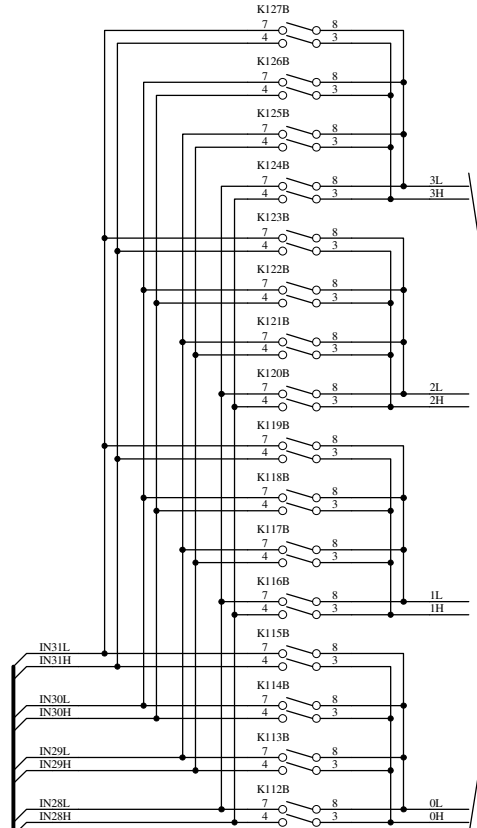
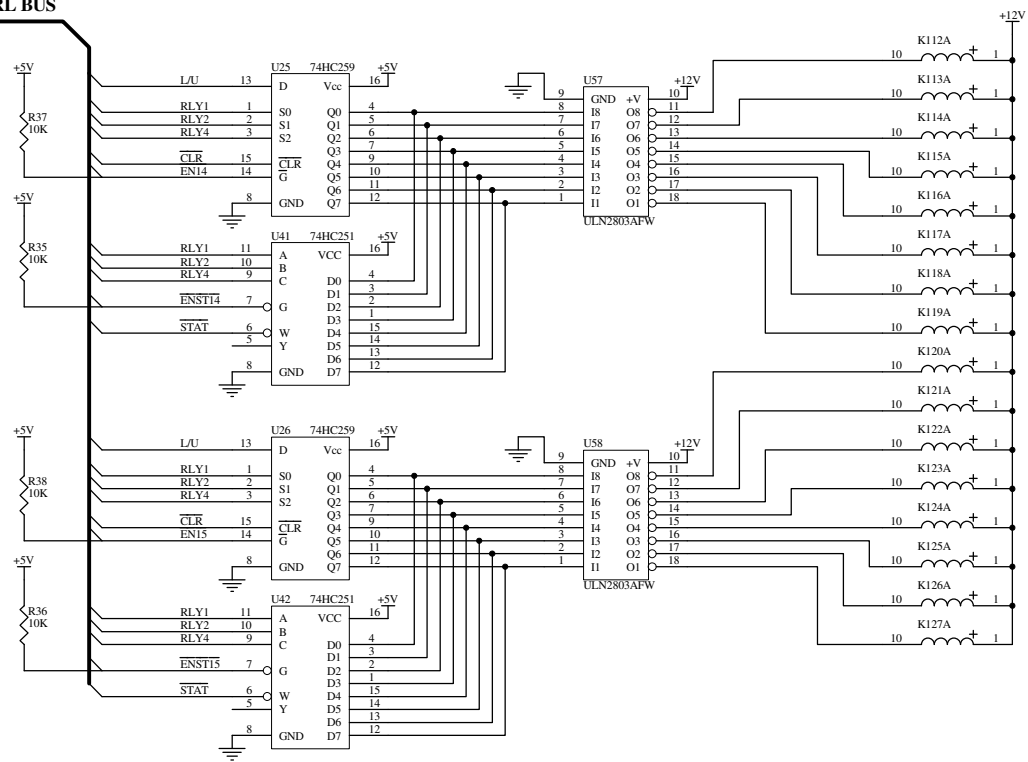
Sheet 3

REVISED FROM:



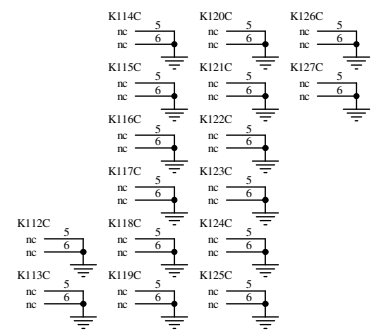
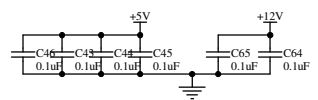
APPROVED BY	DRAWING NUMBER 46-07-50/9	DRAWN BY: KJA
DATE: 25-Jan-2023	REVISION: -	
SIZE: A3	TITLE: HDX/32x4-2A Switch Mod.	
46-07-50-09.SCH		SHEET 9 OF 10

SHEET 2 CTRL BUS



Sheet 3

SHEET 1 DATA BUS 2



REVISED FROM:

YTEC CORP.		
APPROVED BY	DRAWING NUMBER	DRAWN BY: KJA
DATE: 25-Jan-2023	46-07-50/10	REVISION: -
SIZE: A3	TITLE: HDX/32x4-2A Switch Mod.	
46-07-50-10.SCH		SHEET 10 OF 10