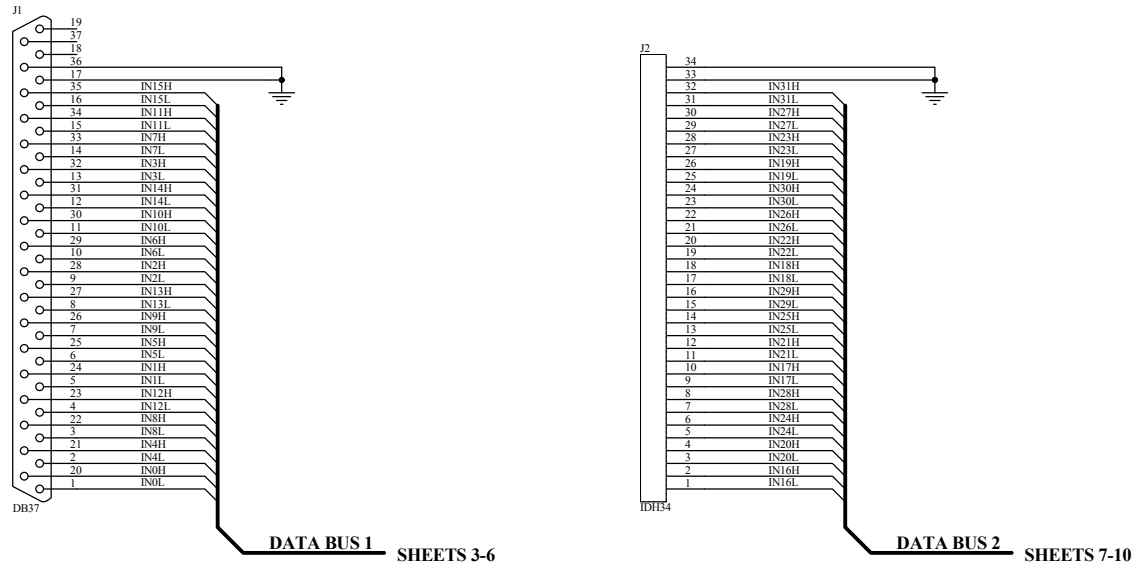


INPUT SIGNALS



REVISED FROM:

RYTEC CORP.		
APPROVED BY	DRAWING NUMBER	DRAWN BY: KJA
DATE: 25-Nov-2013	46-02-50/1	REVISION:
SIZE: A3	TITLE: 46 SERIES 8-(4X4)-2S	
46-02-50-01.SCH		SHEET 1 OF 10

PCI_EXPRESS 98

E3\	A28	R1	2
E3Z	A26	R2	3
E3X	A24	R4	4
E3V	A22	R8	5
E3I	A20	R16	6
E3P	A18	R32	7
E3M	A16	R64	8
E3N	A14	R128	9
E3	B38	*MBEN	1

0110 Board Code

E3	B14	S7	18
E3	B16	S6	17
E3	B18	S5	16
E3	B20	S4	15
E3	B22		14
E3	B24		13
E3	B26		12
E3	B28	STATUS0	11

E3*	B36	LatUn	5
E3*	B34	*SW-STB	6
E3*	B32	*ST-STB	7
E3	B30	*MUX	8
E3TM	B40	MOD8	5
E3	B42	MODN	4

E3	B40	MOD8	5
E3	B42	MODN	4

E3M	B40	MOD8	5
E3	B42	MODN	4

E3M	A45		1
E3P	A46		2
E3M	A44		3
E3P	A43		4
E3M	A43		5

E3M	A45		1
E3P	A46		2
E3M	A44		3
E3P	A43		4
E3M	A43		5

E3M	A45		1
E3P	A46		2
E3M	A44		3
E3P	A43		4
E3M	A43		5

E3M	A45		1
E3P	A46		2
E3M	A44		3
E3P	A43		4
E3M	A43		5

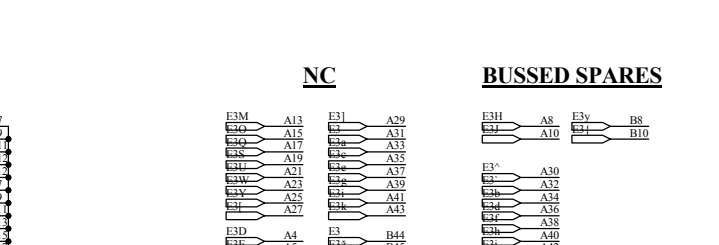
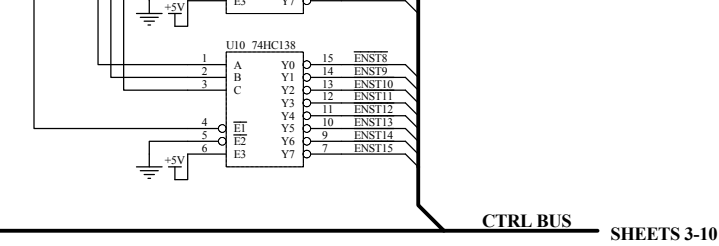
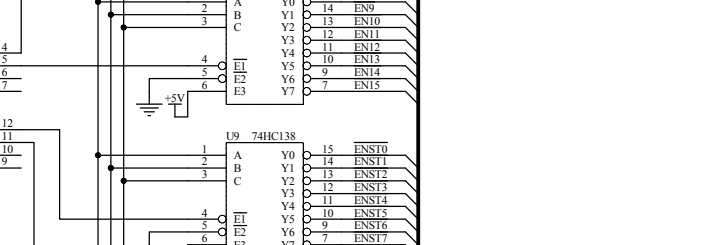
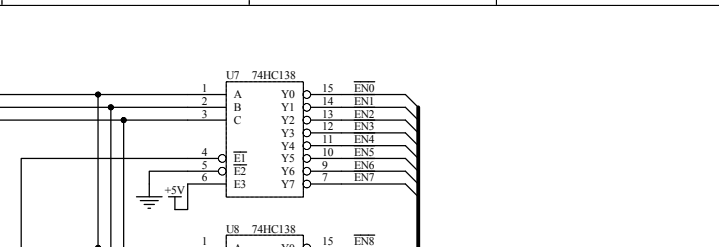
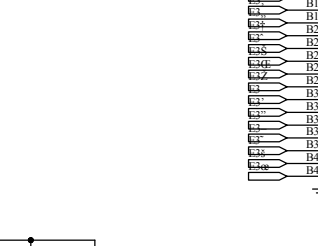
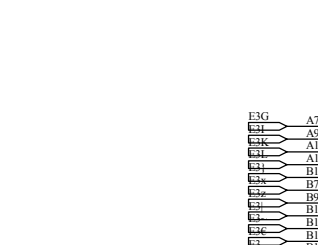
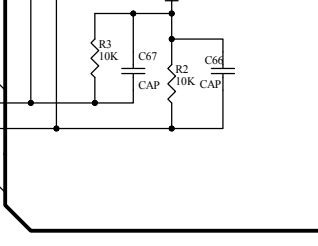
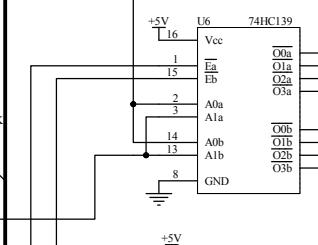
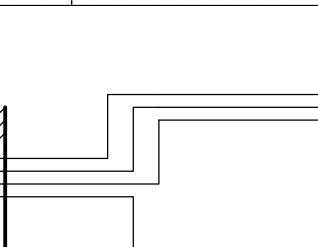
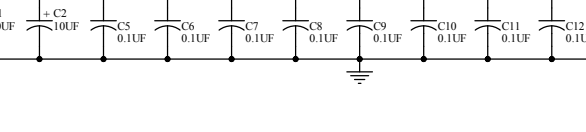
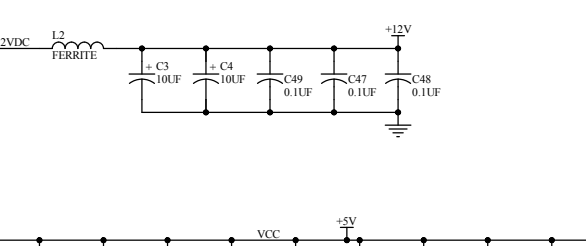
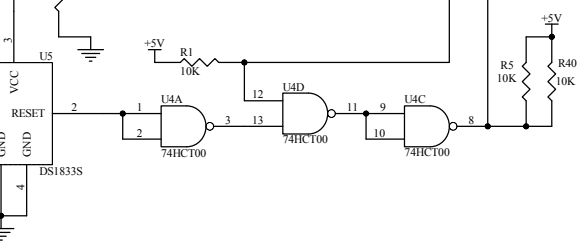
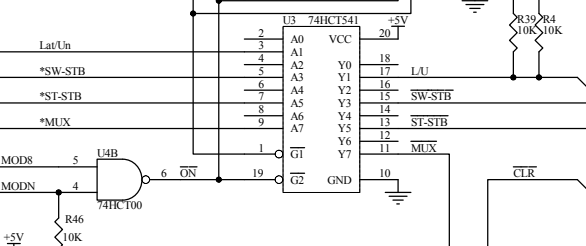
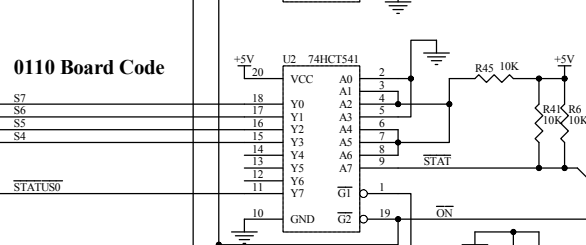
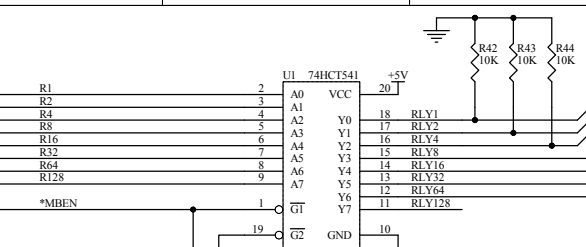
E3M	A45		1
E3P	A46		2
E3M	A44		3
E3P	A43		4
E3M	A43		5

E3A	A1		1
E3P	A2		2
E3M	A3		3
E3r	B1		4
E3M	B2		5
E3P	B3		6

E3A	A1		1
E3P	A2		2
E3M	A3		3
E3r	B1		4
E3M	B2		5
E3P	B3		6

E3A	A1		1
E3P	A2		2
E3M	A3		3
E3r	B1		4
E3M	B2		5
E3P	B3		6

E3A	A1		1
E3P	A2		2
E3M	A3		3
E3r	B1		4
E3M	B2		5
E3P	B3		6



CTRL BUS SHEETS 3-10

NC

E3M	A13	E3I	A29
E3M	A15	E3I	A31
E3M	A17	E3I	A33
E3M	A19	E3I	A35
E3M	A21	E3I	A37
E3M	A23	E3I	A39
E3M	A25	E3I	A41
E3M	A27	E3I	A43
E3M	A4	E3I	B44
E3M	A5	E3I	B45
E3M	A6	E3I	B46
E3M	B4	E3I	B47
E3M	B5	E3I	B48
E3M	B6	E3I	B49

BUSSED SPARES

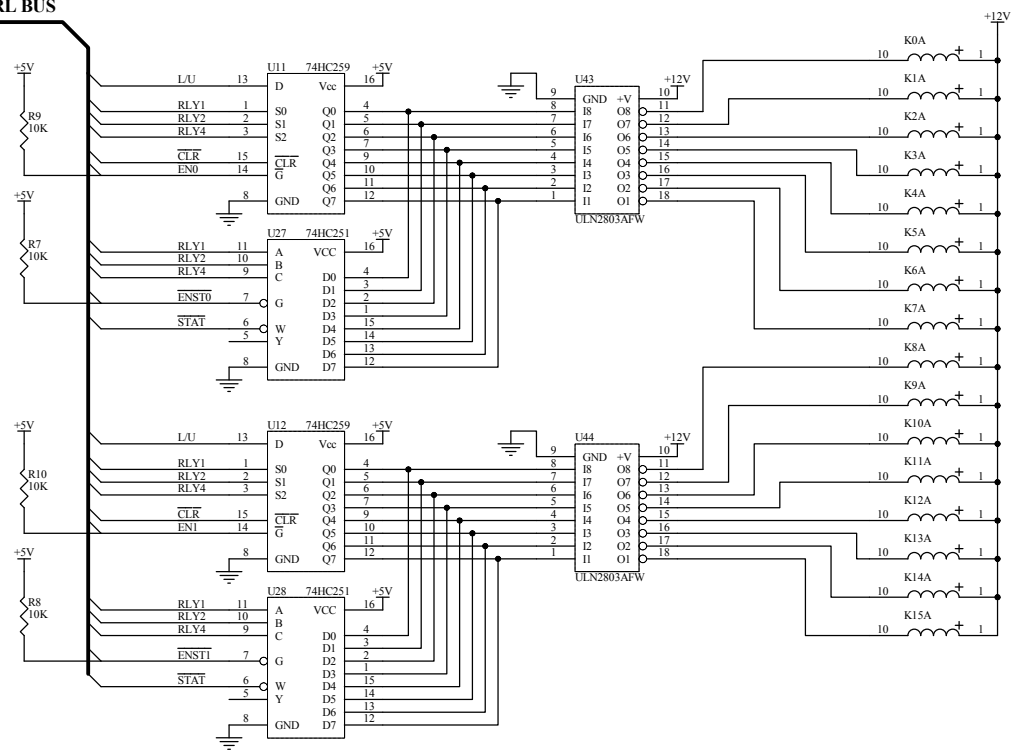
E3H	A8	E3V	B8
E3I	A10	E3I	B10
E3^	A30		
E3^	A32		
E3^	A34		
E3^	A36		
E3^	A38		
E3^	A40		
E3^	A42		
E3^	A44		

E3G	A7
E3K	A9
E3K	A11
E3K	A12
E3K	A13
E3K	A14
E3K	A15
E3K	A16
E3K	A17
E3K	A18
E3K	A19
E3K	A20
E3K	A21
E3K	A22
E3K	A23
E3K	A24
E3K	A25
E3K	A26
E3K	A27
E3K	B10
E3K	B11
E3K	B12
E3K	B13
E3K	B14
E3K	B15
E3K	B16
E3K	B17
E3K	B18
E3K	B19
E3K	B20
E3K	B21
E3K	B22
E3K	B23
E3K	B24
E3K	B25
E3K	B26
E3K	B27
E3K	B28
E3K	B29
E3K	B30
E3K	B31
E3K	B32
E3K	B33
E3K	B34
E3K	B35
E3K	B36
E3K	B37
E3K	B38
E3K	B39
E3K	B40
E3K	B41
E3K	B42
E3K	B43

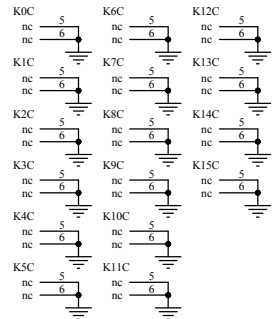
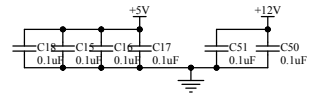
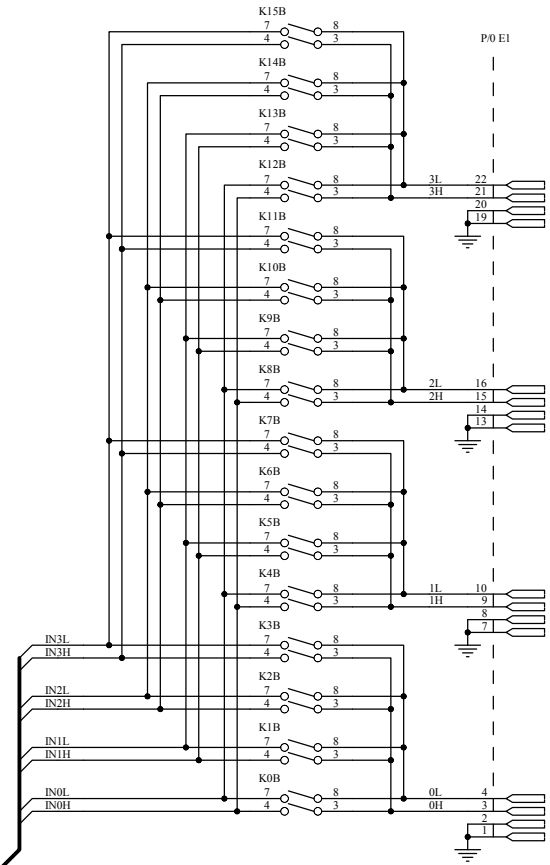
REVISED FROM:

YTEC CORP.		
APPROVED BY	DRAWING NUMBER	DRAWN BY: KJA
DATE: 25-Nov-2013	46-02-50/2	REVISION:
SIZE: A3	TITLE: 46 SERIES 8-(4X4)-2S	
46-02-50-02.SCH	SHEET 2 OF 10	

SHEET 2 CTRL BUS



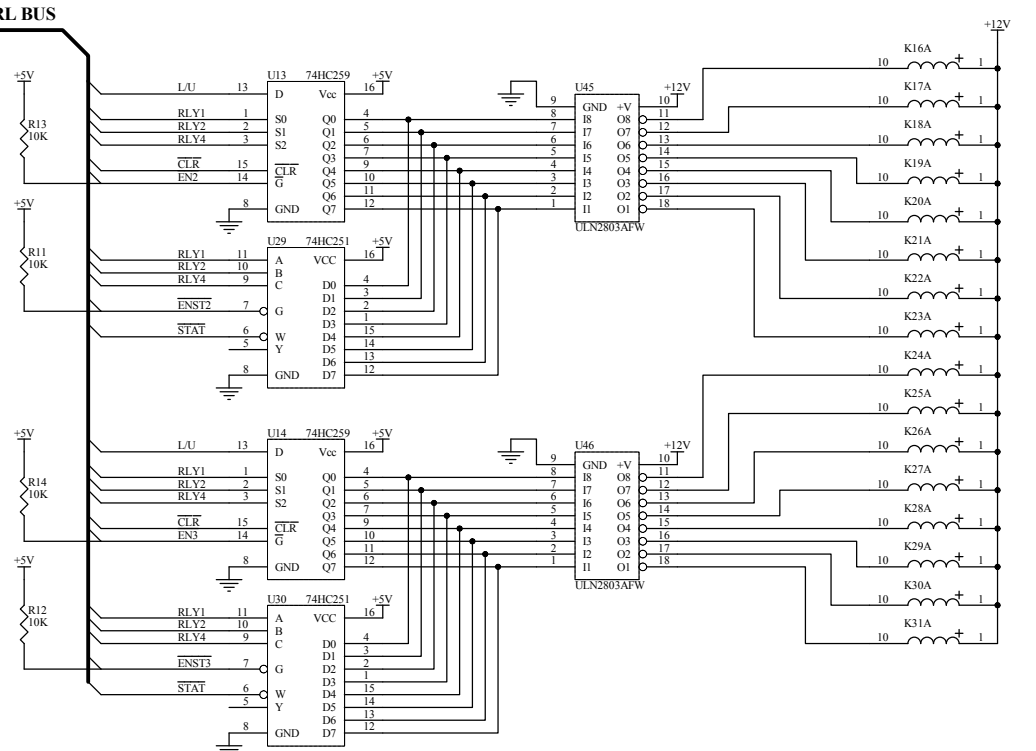
SHEET 1 DATA BUS 1



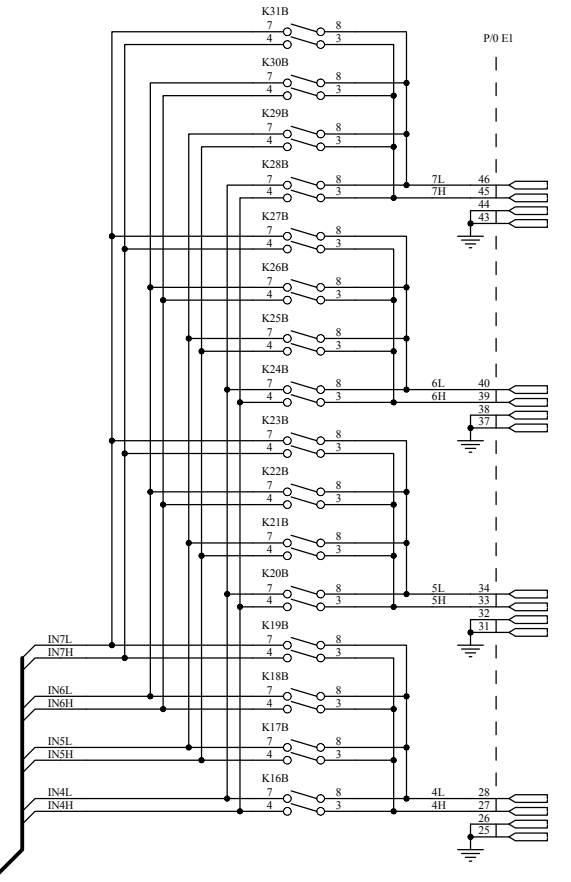
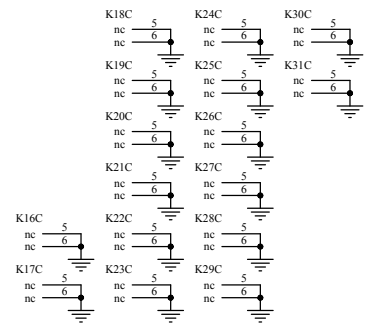
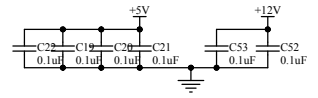
REVISED FROM:

YTEC CORP.		
APPROVED BY	DRAWING NUMBER	DRAWN BY: KJA
DATE: 25-Nov-2013	46-02-50/3	REVISION:
SIZE: A3	TITLE: 46 SERIES 8-(4X4)-2S	
46-02-50-03.SCH	SHEET 3 OF 10	

SHEET 2 CTRL BUS



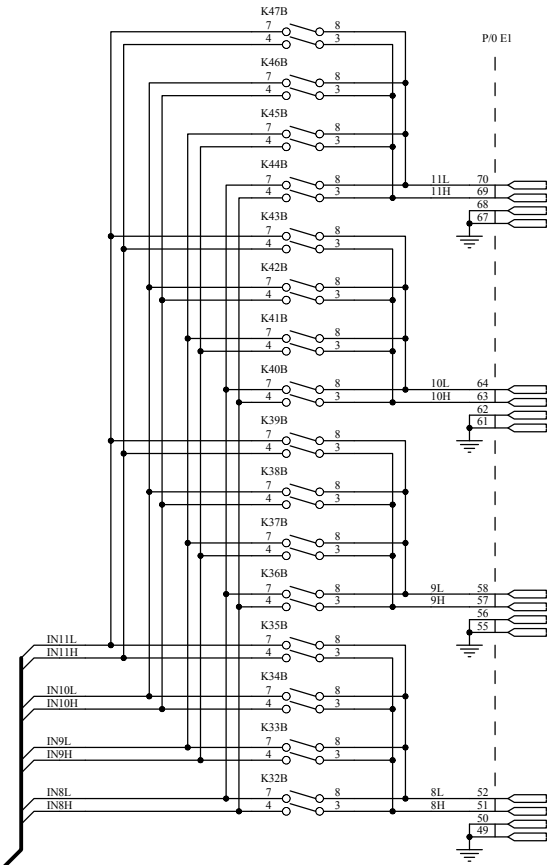
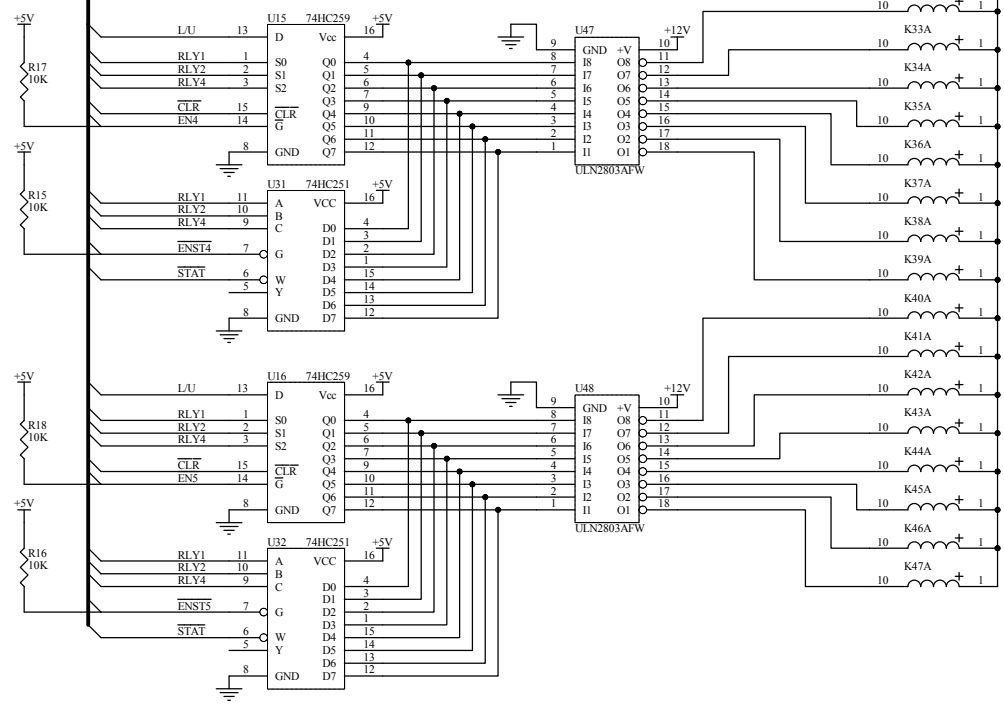
SHEET 1 DATA BUS 1



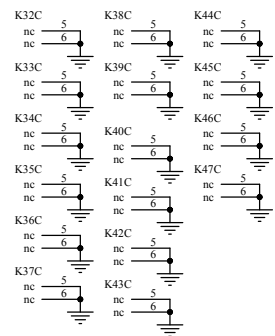
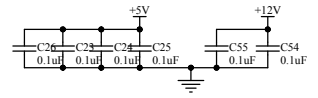
REVISED FROM:

YTEC CORP.		
APPROVED BY	DRAWING NUMBER	DRAWN BY: KJA
DATE: 25-Nov-2013	46-02-50/4	REVISION:
SIZE: A3	TITLE: 46 SERIES 8-(4X4)-2S	
46-02-50-04.SCH		SHEET 4 OF 10

SHEET 2 CTRL BUS



SHEET 1 DATA BUS 1

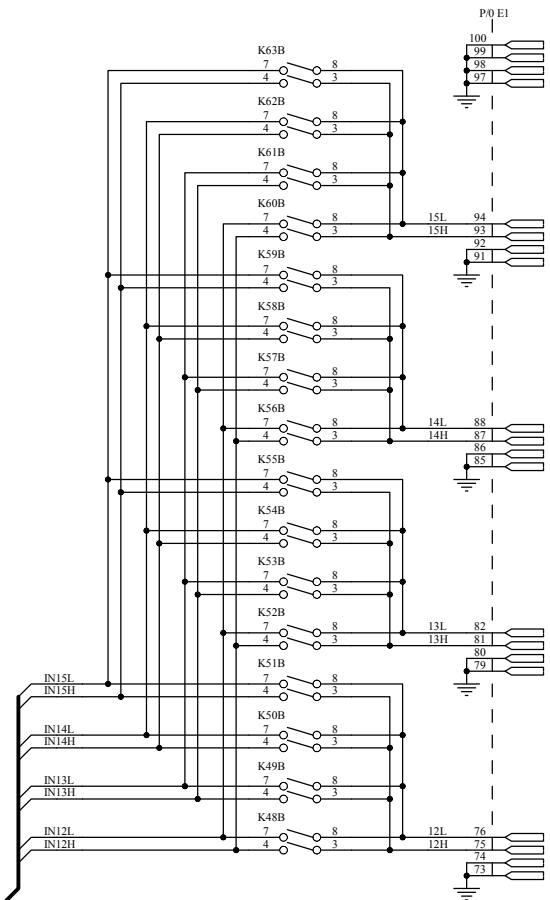
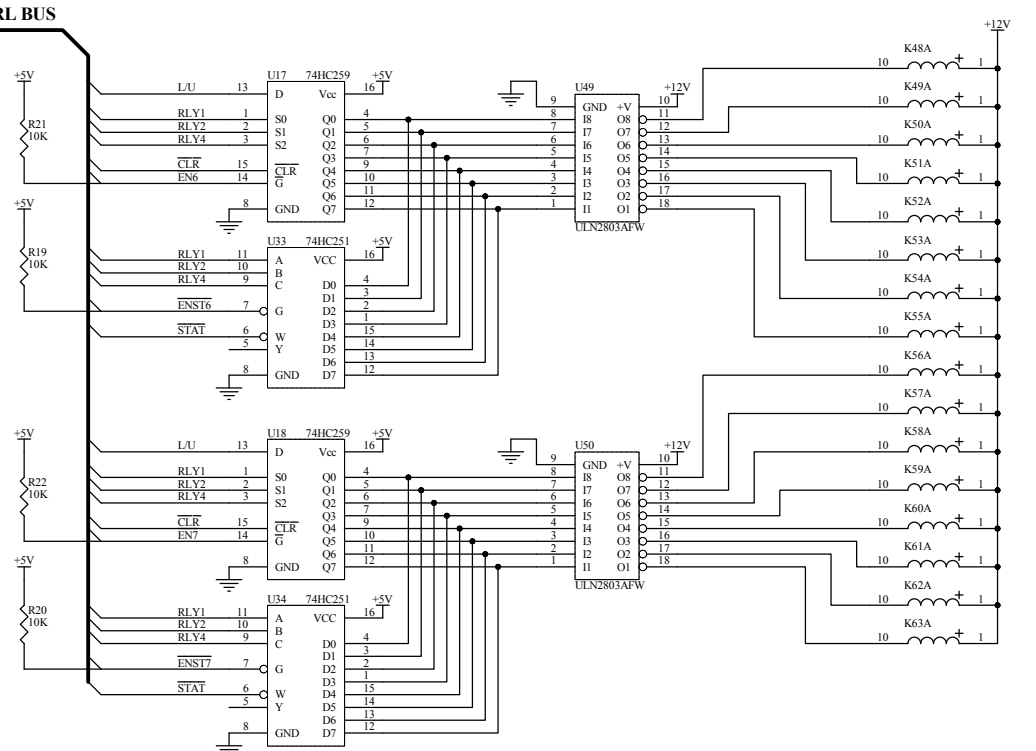


REVISED FROM:

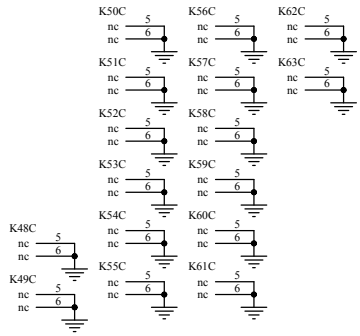
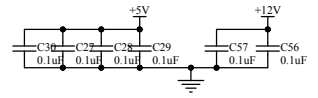


APPROVED BY		DRAWING NUMBER		DRAWN BY: KJA	
DATE: 25-Nov-2013		46-02-50/5		REVISION:	
SIZE: A3	TITLE: 46 SERIES 8-(4X4)-2S				
46-02-50-05.SCH				SHEET 5 OF 10	

SHEET 2 CTRL BUS



SHEET 1 DATA BUS 1



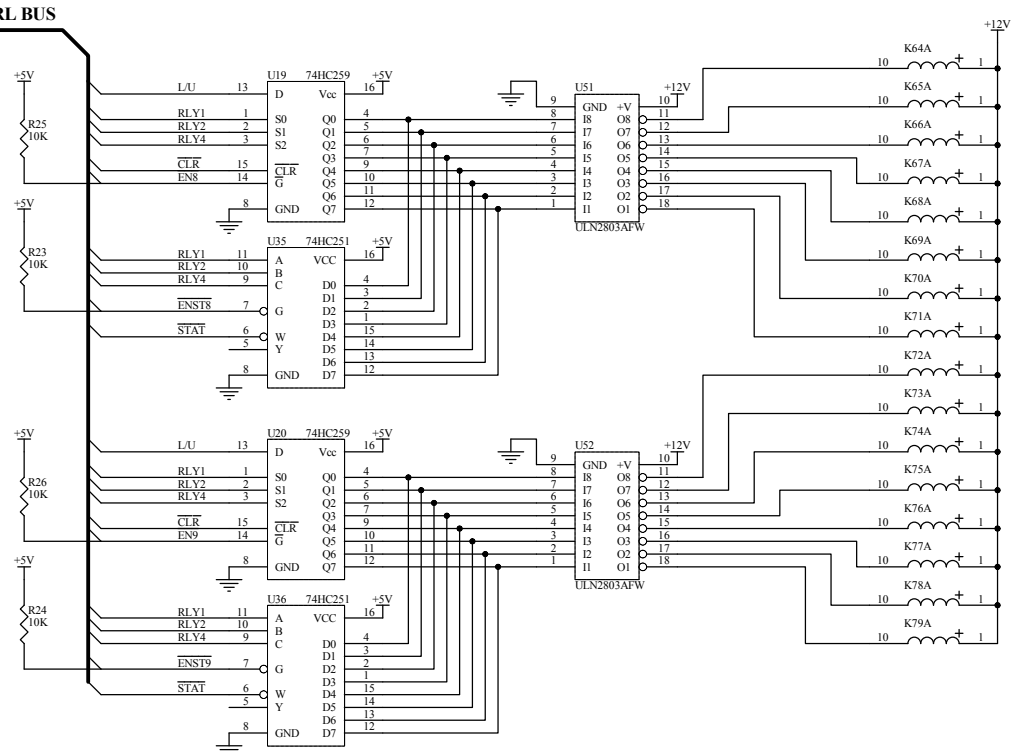
REVISED FROM:

YTEC CORP.	
APPROVED BY	DRAWING NUMBER
DATE: 25-Nov-2013	46-02-50/6
SIZE: A3	TITLE: 46 SERIES 8-(4X4)-2S
46-02-50-06.SCH	SHEET 6 OF 10

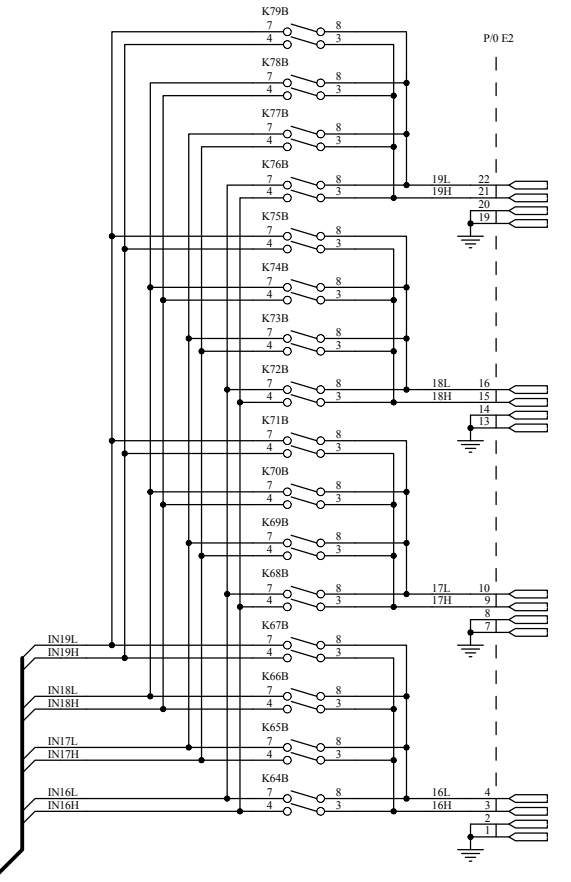
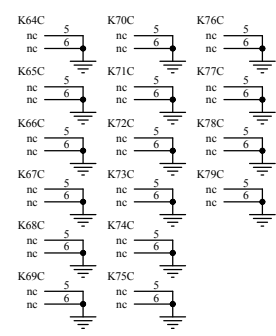
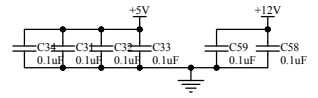
DRAWN BY: KJA

REVISION:

SHEET 2 CTRL BUS



SHEET 1 DATA BUS 2



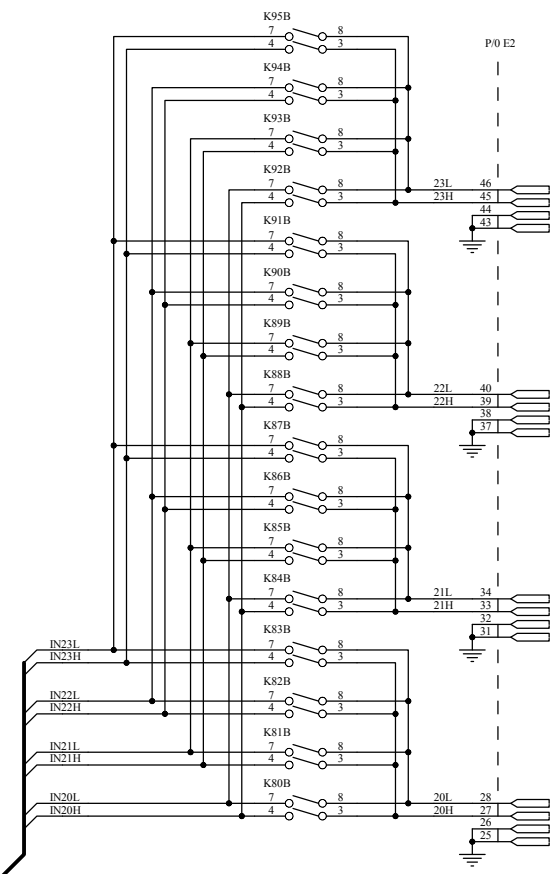
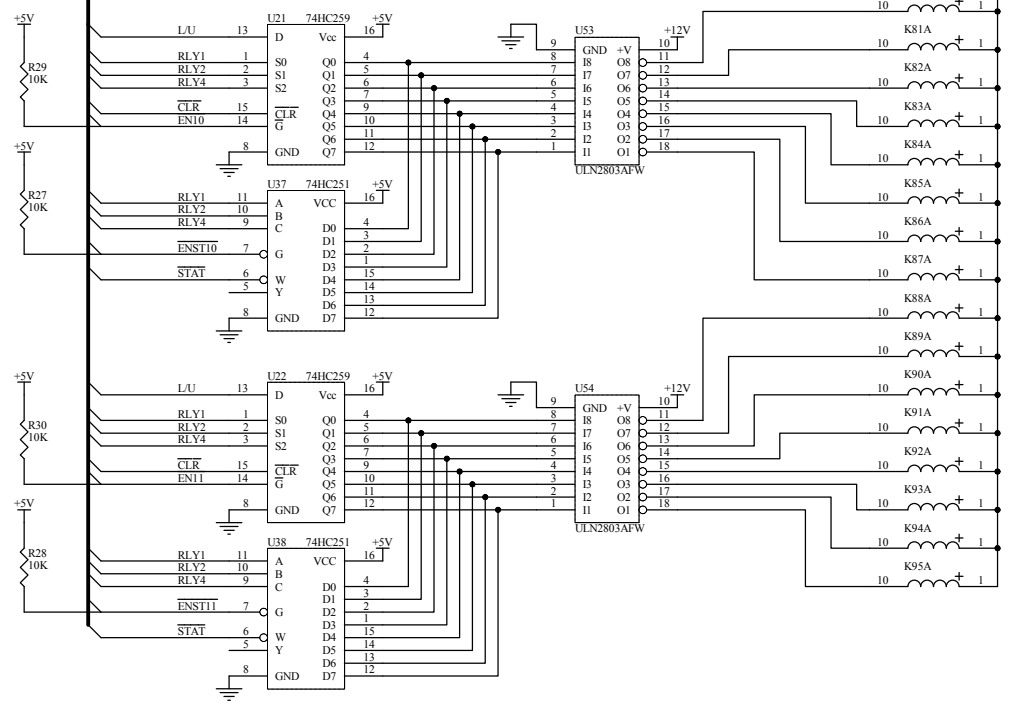
REVISED FROM:

YTEC CORP.	
APPROVED BY	DRAWING NUMBER
DATE: 25-Nov-2013	46-02-50/7
SIZE: A3	TITLE: 46 SERIES 8-(4X4)-2S
46-02-50-07.SCH	SHEET 7 OF 10

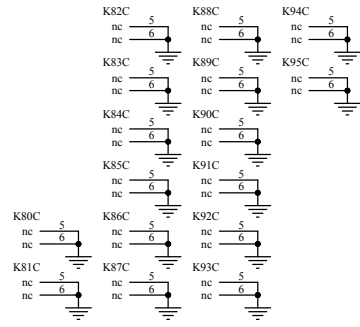
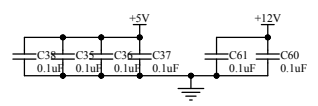
DRAWN BY: KJA

REVISION:

SHEET 2 CTRL BUS



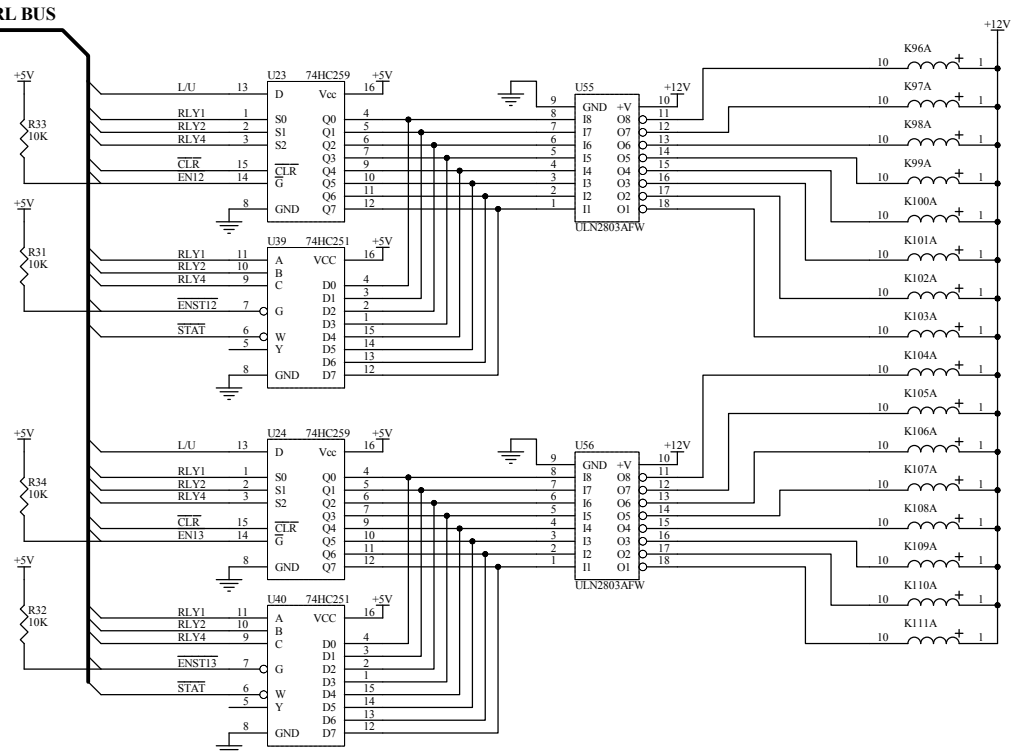
SHEET 1 DATA BUS 2



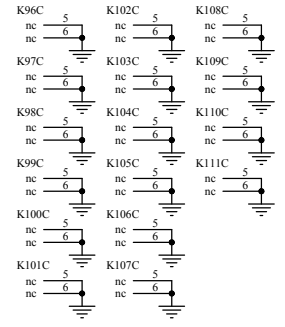
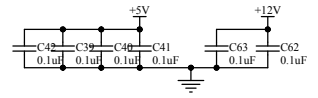
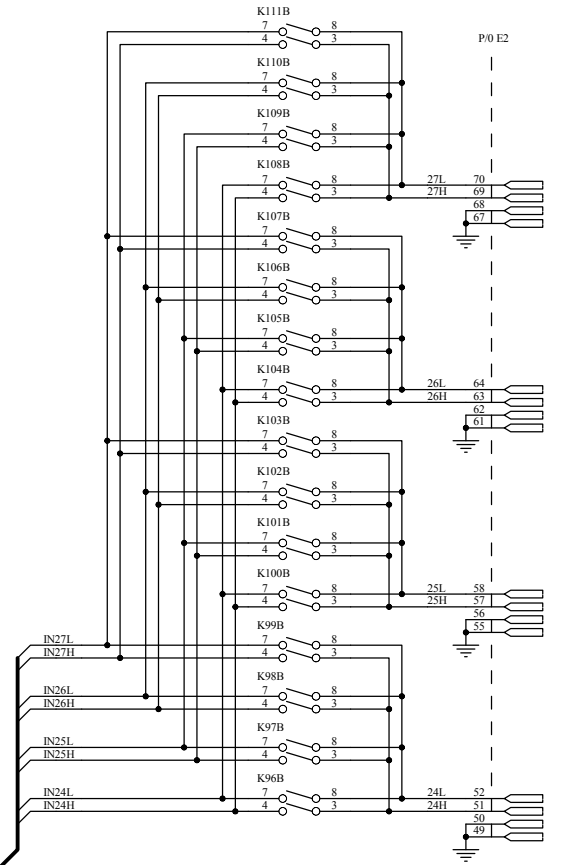
REVISED FROM:

YTEC CORP.		
APPROVED BY	DRAWING NUMBER	DRAWN BY: KJA
DATE: 25-Nov-2013	46-02-50/8	REVISION:
SIZE: A3	TITLE: 46 SERIES 8-(4X4)-2S	
46-02-50-08.SCH	SHEET 8 OF 10	

SHEET 2 CTRL BUS



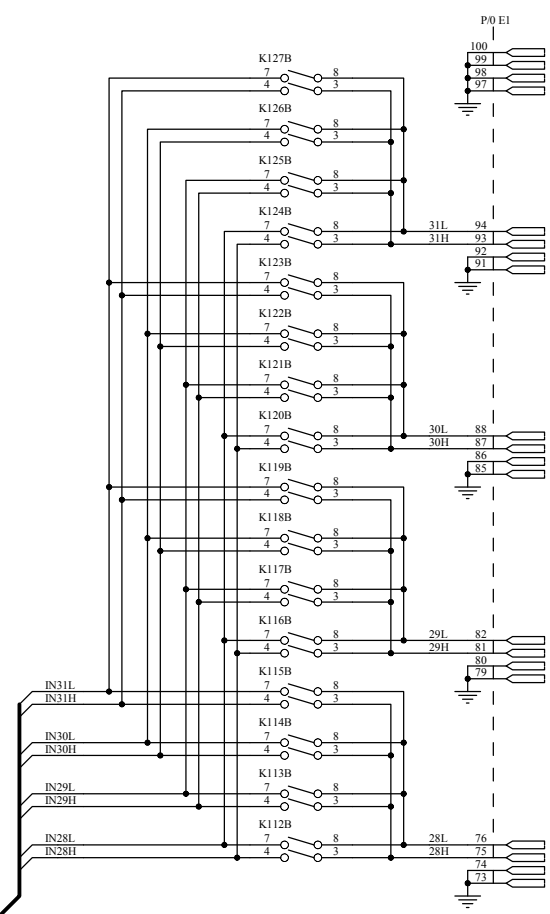
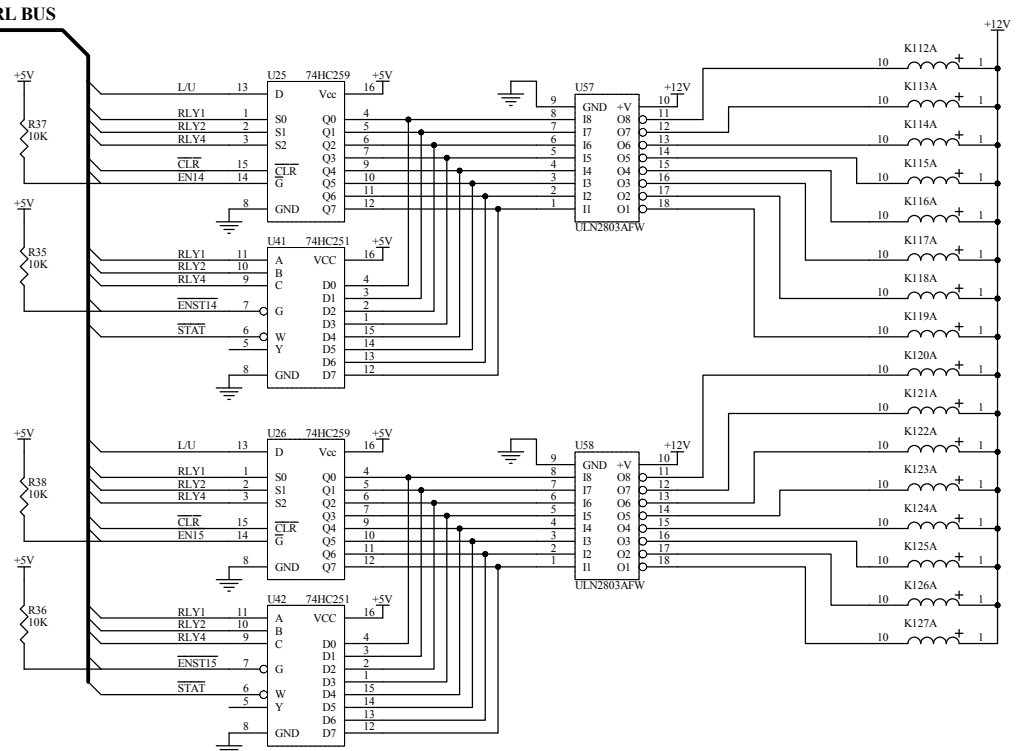
SHEET 1 DATA BUS 2



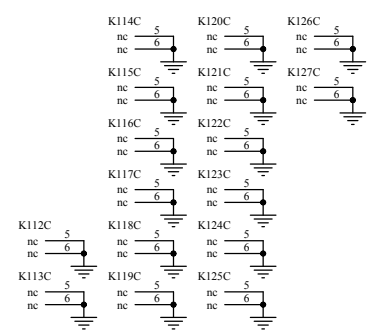
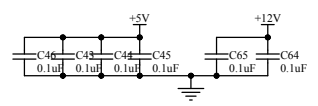
REVISED FROM:

YTEC CORP.		
APPROVED BY	DRAWING NUMBER	DRAWN BY: KJA
DATE: 25-Nov-2013	46-02-50/9	REVISION:
SIZE: A3	TITLE: 46 SERIES 8-(4X4)-2S	
46-02-50-09.SCH		SHEET 9 OF 10

SHEET 2 CTRL BUS



SHEET 1 DATA BUS 2



REVISED FROM:

YTEC CORP.		
APPROVED BY	DRAWING NUMBER	DRAWN BY: KJA
DATE: 25-Nov-2013	46-02-50/10	REVISION:
SIZE: A3	TITLE: 46 SERIES 8-(4X4)-2S	
46-02-50-10.SCH		SHEET 10 OF 10