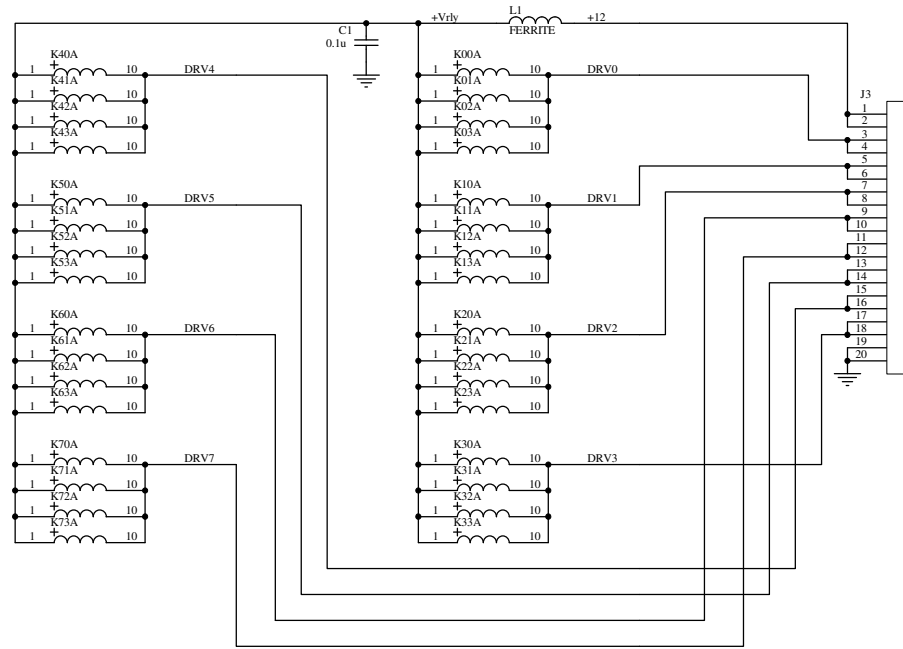


REVISED FROM:



APPROVED BY	DRAWING NUMBER	DRAWN BY: KJA
DATE: 30-Jan-2017	37-12-50/01	REVISION:
SIZE: A3	TITLE: RJM/2(1x4) RJ45 Switch Module	
SHEET 1 OF 2		



REVISED FROM:



APPROVED BY	DRAWING NUMBER	DRAWN BY: KJA
DATE: 30-Jan-2017	37-12-50/02	REVISION:
SIZE: A3	TITLE: RJM/2(1x4) RJ45 Switch Module	
		SHEET 2 OF 2