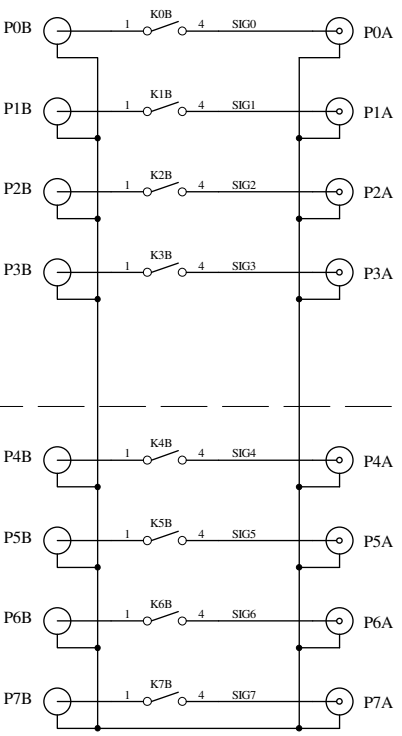


J2-RELAY POWER

J1-RELAY DRIVE

JUMPERS	RELAYS	JUMPERS
MODULE SIZE	RELAYS	JUMPERS
4K	0, 1, 2, 3	1, 2, 3, 8
4K	4, 5, 6, 7	4, 5, 6, 7
8K	0 - 7	1, 2, 3, 8

NOTE: RP1
 +5 VOLTS - 100 OHMS
 +12 VOLTS - 680 OHMS



YTEC CORP.

APPROVED BY	DRAWING NUMBER	DRAWN BY: KJA
DATE: 26-Sep-2017	32-23-50	REVISION:
SIZE: B	TITLE: HXV/8K-HV SWITCH MODULE	
32-23-50.SCH		SHEET 1 OF 1