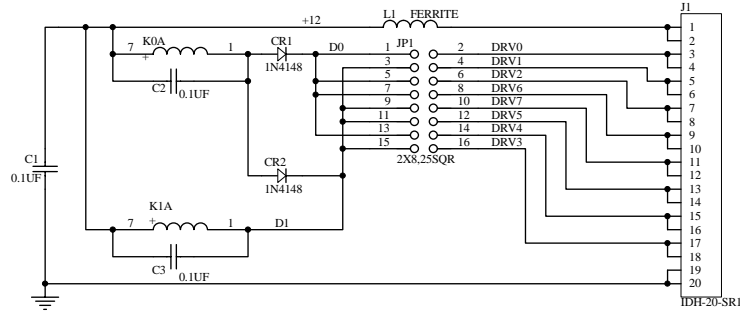
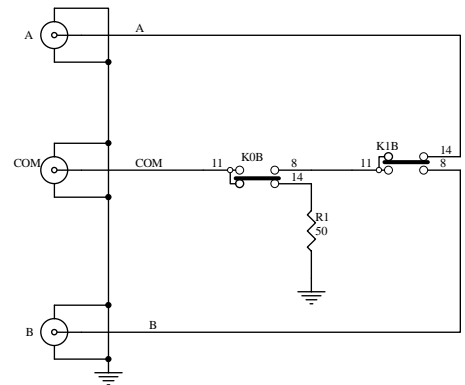
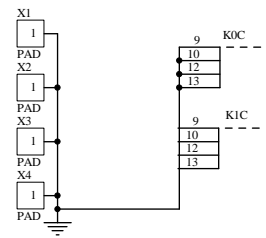


BNC



MOUNTING PADS



| | | |
|-------------------|----------------------------------|---------------|
| YTEC CORP. | | |
| APPROVED BY | DRAWING NUMBER | DRAWN BY: KJA |
| DATE: 29-Dec-2009 | 30-33-50 | REVISION: |
| SIZE: B | TITLE: CXR/2X1-GTCOM-50 Sw. Mod. | |
| 30-33-50.SCH | | SHEET 1 OF 1 |