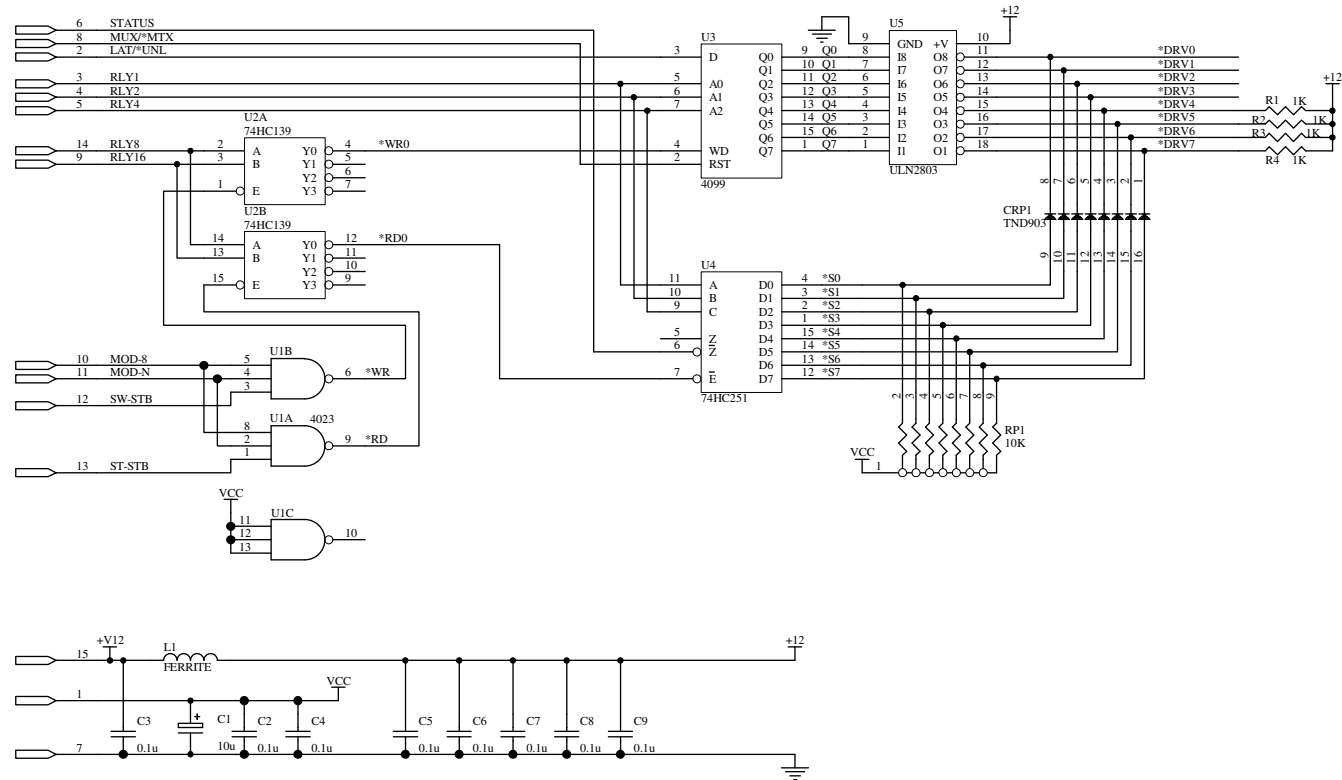
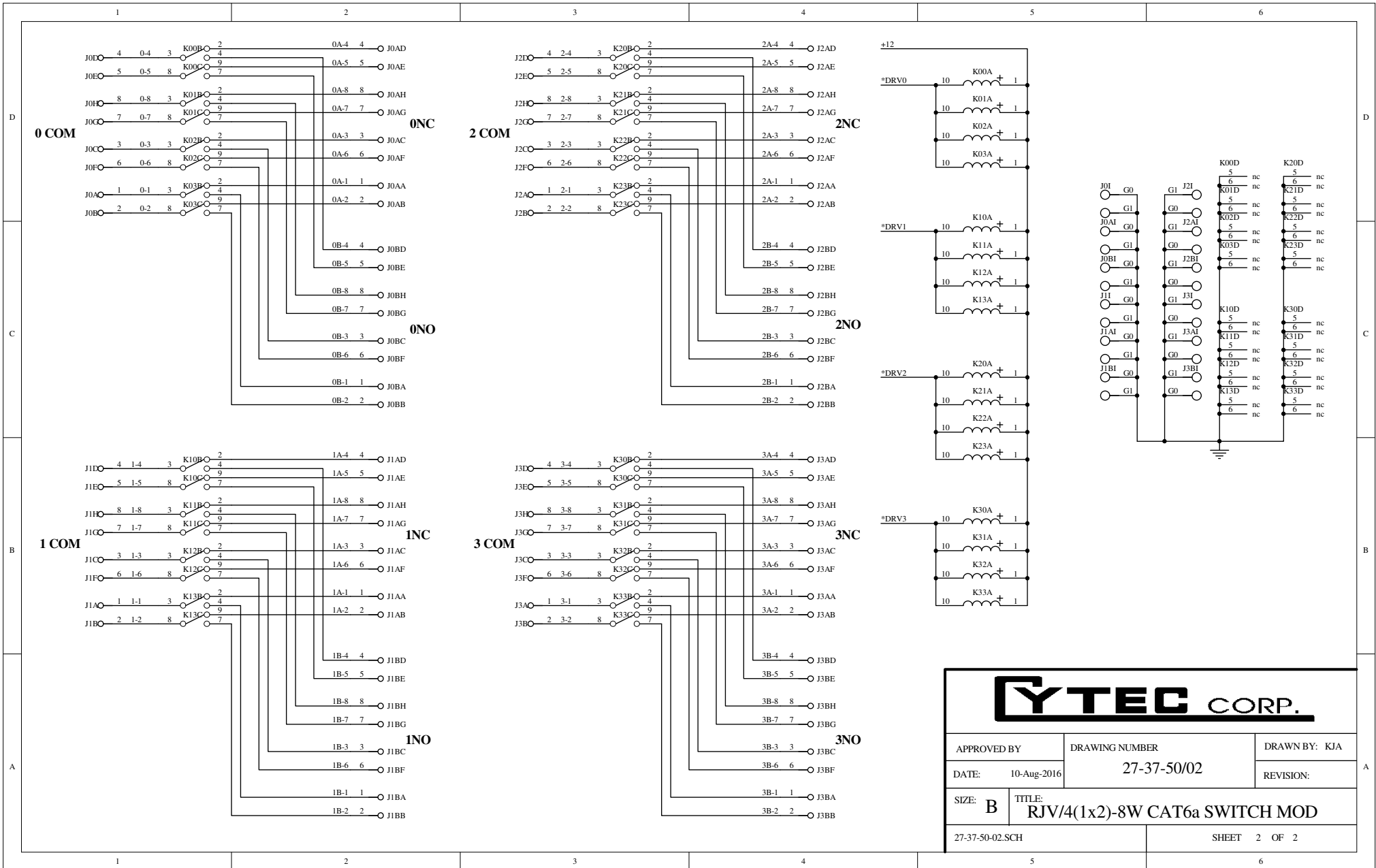


CONTROL BACKPLANE



APPROVED BY	DRAWING NUMBER	DRAWN BY: KJA
DATE: 10-Aug-2016	27-37-50/01	REVISION:
SIZE: B	TITLE: RJV/4(1x2)-8W CAT6a SWITCH MOD	
27-37-50-01.SCH		SHEET 1 OF 2



APPROVED BY	DRAWING NUMBER	DRAWN BY: KJA
DATE: 10-Aug-2016	27-37-50/02	REVISION:
SIZE: B	TITLE: RJV/4(1x2)-8W CAT6a SWITCH MOD	
27-37-50-02.SCH		SHEET 2 OF 2