

RELAY DRIVE FUNCTIONS

1 OF 12 SELECTION SIGNAL DRIVES

IN0	NONE
IN1	0
IN2	1
IN3	2
IN4	2,3
IN5	2,3,4
IN6	5
IN7	5,6
IN8	5,7
IN9	5,8
IN10	5,8,9
IN11	5,8,9,10

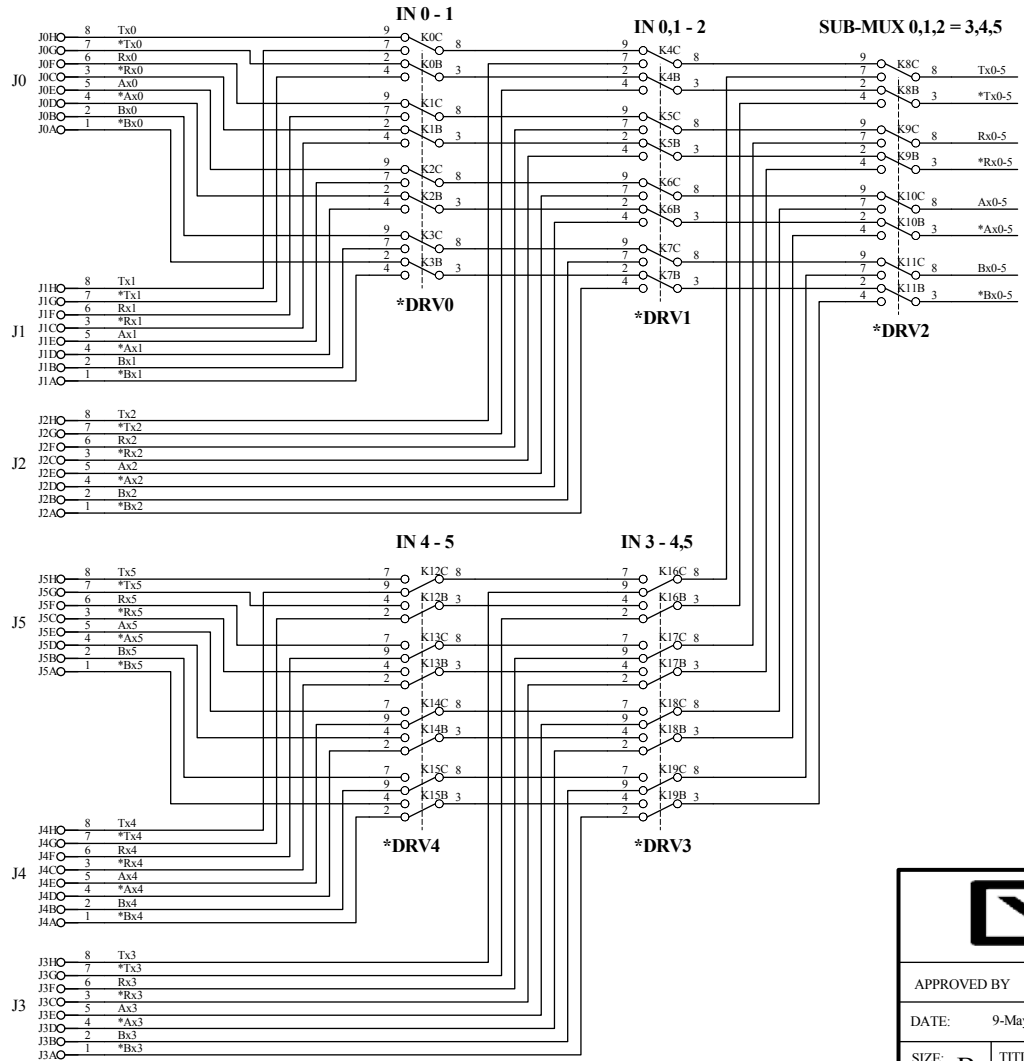
OUTPUT SECTIONS

MOD TO RJ45 13

YTEC CORP.

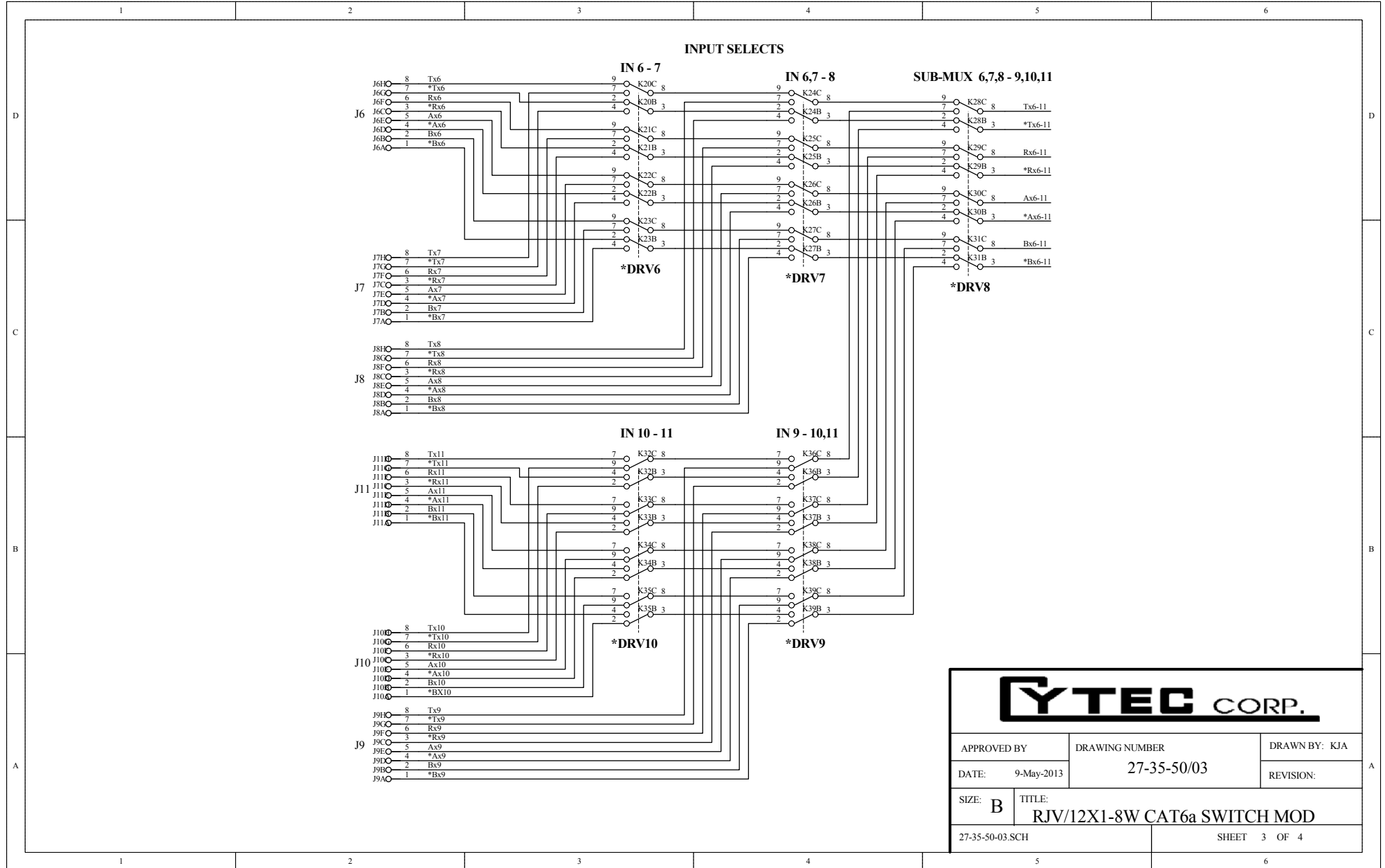
APPROVED BY	DRAWING NUMBER	DRAWN BY: KJA
DATE: 9-May-2013	27-35-50/01	REVISION:
SIZE: B	TITLE: RJV/12X1-8W CAT6a SWITCH MOD	
27-35-50-01.SCH		SHEET 1 OF 4

INPUT SELECTS



YTEC CORP.		
APPROVED BY	DRAWING NUMBER	DRAWN BY: KJA
DATE: 9-May-2013	27-35-50/02	REVISION:
SIZE: B	TITLE: RJV/12X1-8W CAT6a SWITCH MOD	
27-35-50-02.SCH		SHEET 2 OF 4

INPUT SELECTS

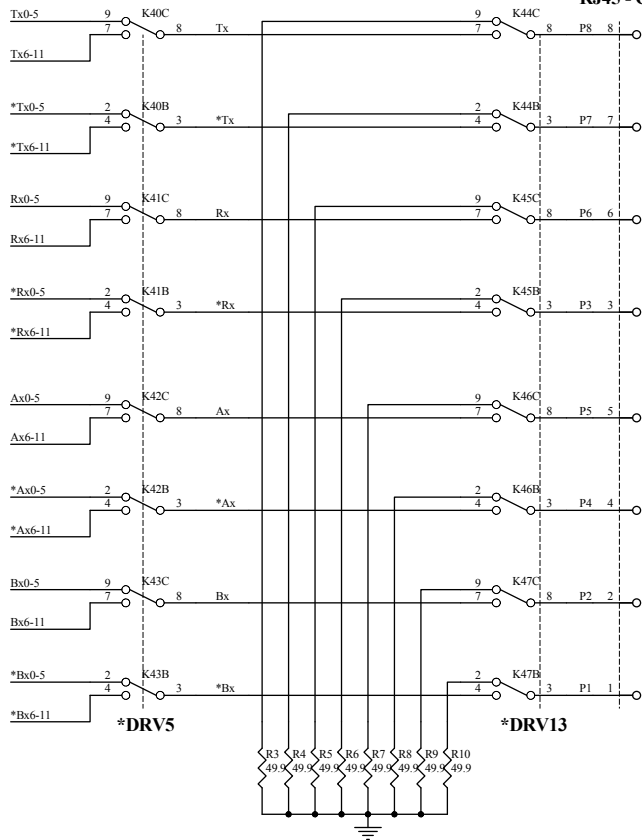


APPROVED BY		DRAWING NUMBER		DRAWN BY: KJA	
DATE: 9-May-2013		27-35-50/03		REVISION:	
SIZE: B		TITLE: RJV/12X1-8W CAT6a SWITCH MOD			
27-35-50-03.SCH			SHEET 3 OF 4		

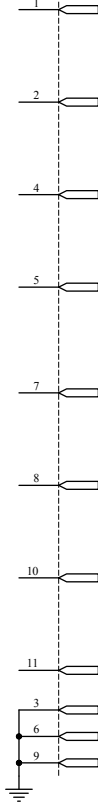
**FINAL-MUX
0.5 - 8..11**

**MODULE
OUTPUT ENABLE**

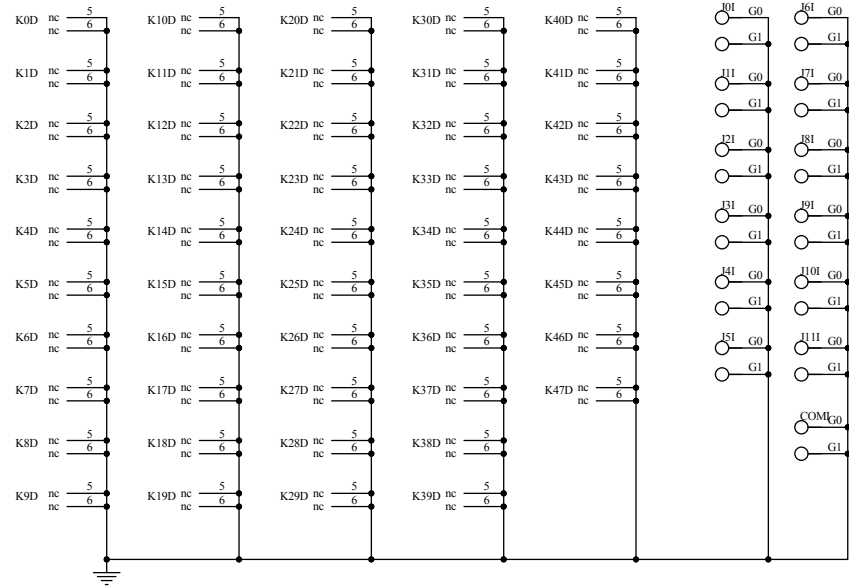
RJ45 - COM



SIGNAL MB



GROUNDING



APPROVED BY	DRAWING NUMBER	DRAWN BY: KJA
DATE: 9-May-2013	27-35-50/04	REVISION:
SIZE: B	TITLE: RJV/12X1-8W CAT6a SWITCH MOD	
27-35-50-04.SCH		SHEET 4 OF 4