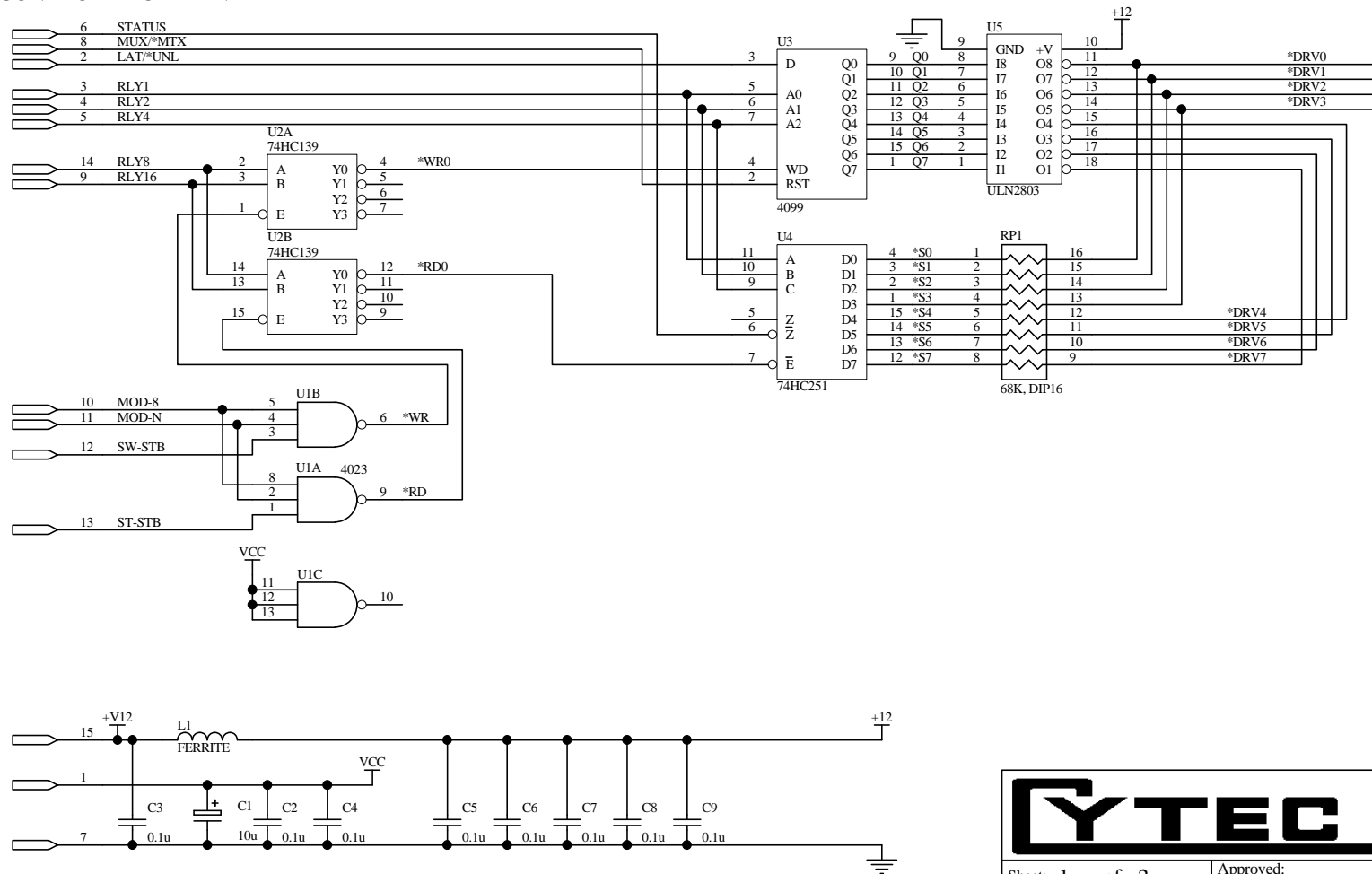
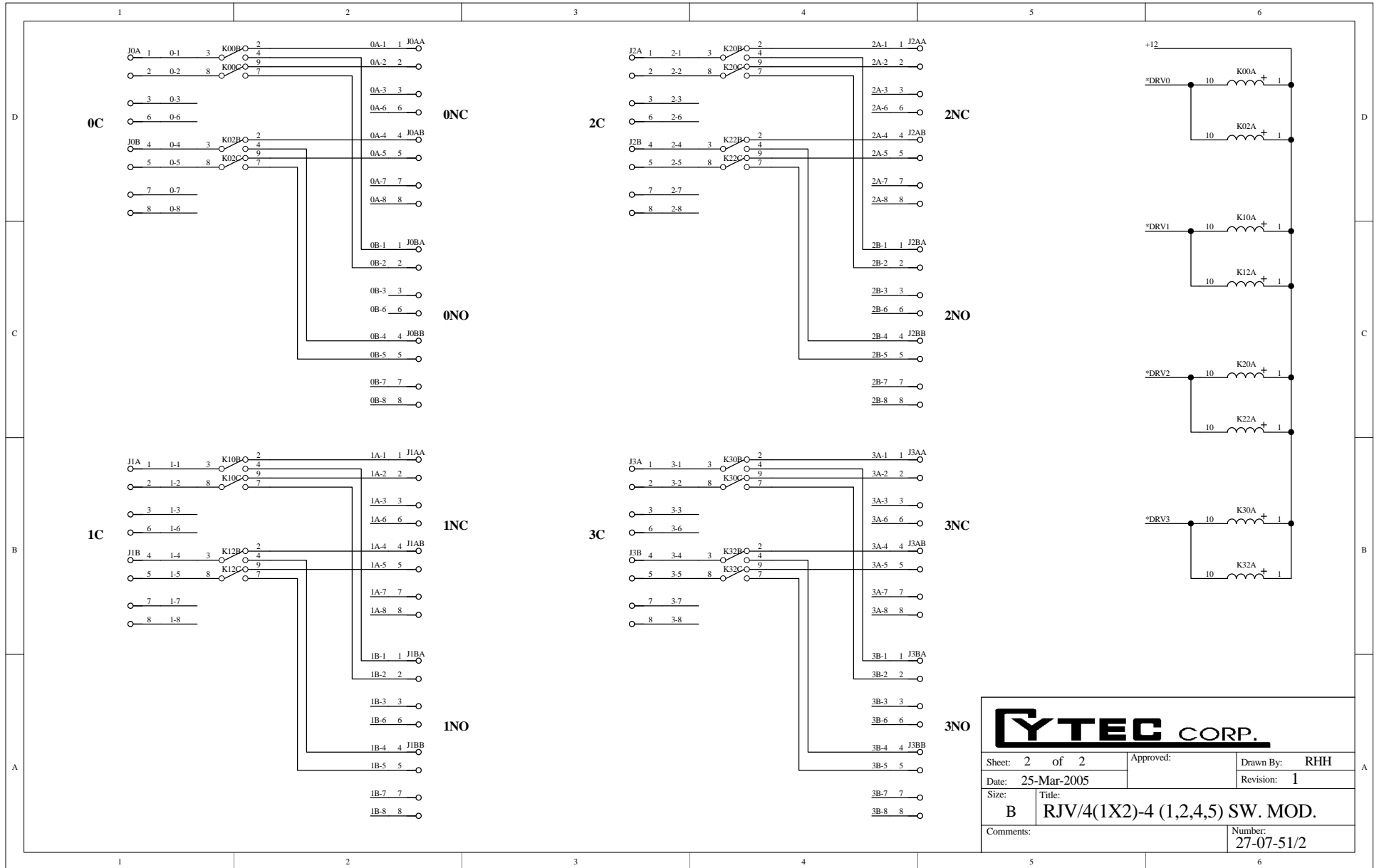


CONTROL BACKPLANE



Sheet: 1 of 2		Approved:	Drawn By: RHH
Date: 25-Mar-2005		Revision: 1	
Size: A4	Title: RJV/4(1X2)-4 (1,2,4,5) SW. MOD.		
Comments:			Number: 27-07-51/1



YTEC CORP.

Sheet: 2 of 2	Approved:	Drawn By: RHH
Date: 25-Mar-2005		Revision: 1
Size: B	Title: RJV/4(1X2)-4 (1,2,4,5) SW. MOD.	
Comments:	Number: 27-07-51/2	