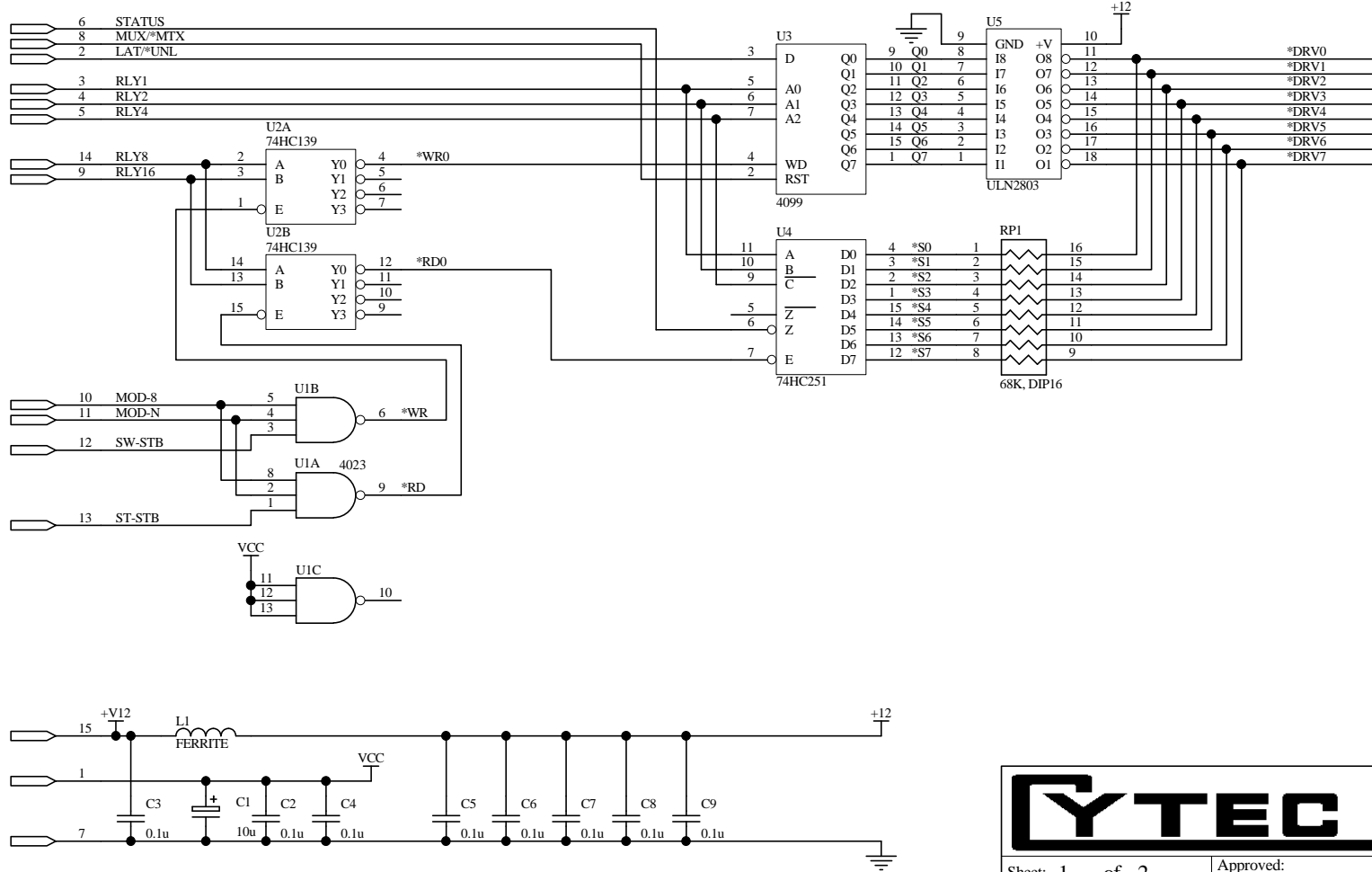
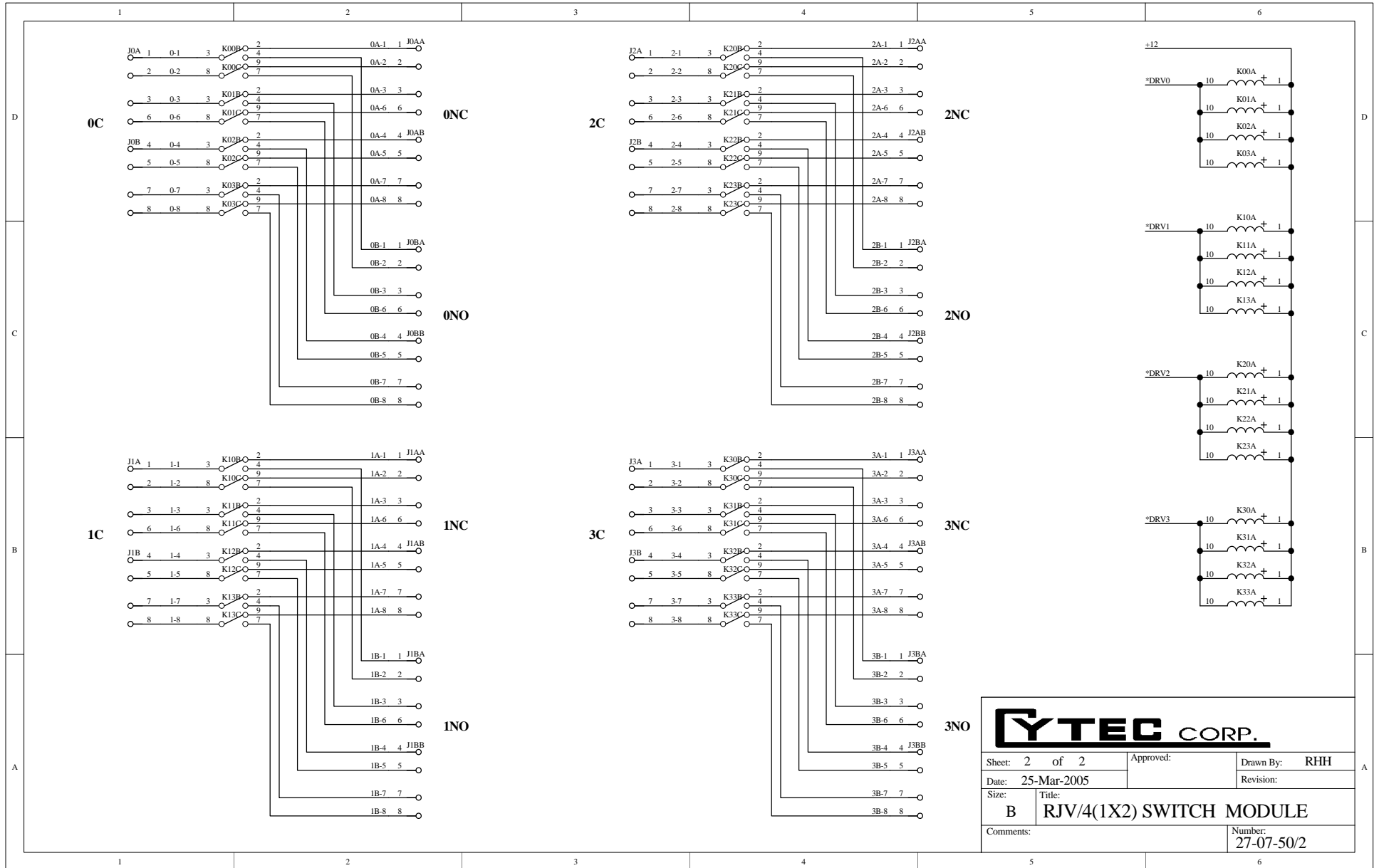


**CONTROL BACKPLANE**



<b>YTEC CORP.</b>		
Sheet: 1 of 2	Approved:	Drawn By: RHH
Date: 25-Mar-2005		Revision:
Size: A4	Title: RJV/4(1X2) SWITCH MODULE	
Comments:	Number: 27-07-50/1	



**YTEC CORP.**

Sheet: 2 of 2	Approved:	Drawn By: RHH
Date: 25-Mar-2005		Revision:
Size: B	Title: RJV/4(1X2) SWITCH MODULE	
Comments:		Number: 27-07-50/2