

RELAY DRIVE FUNCTIONS

1 OF 12 SELECTION SIGNAL DRIVES

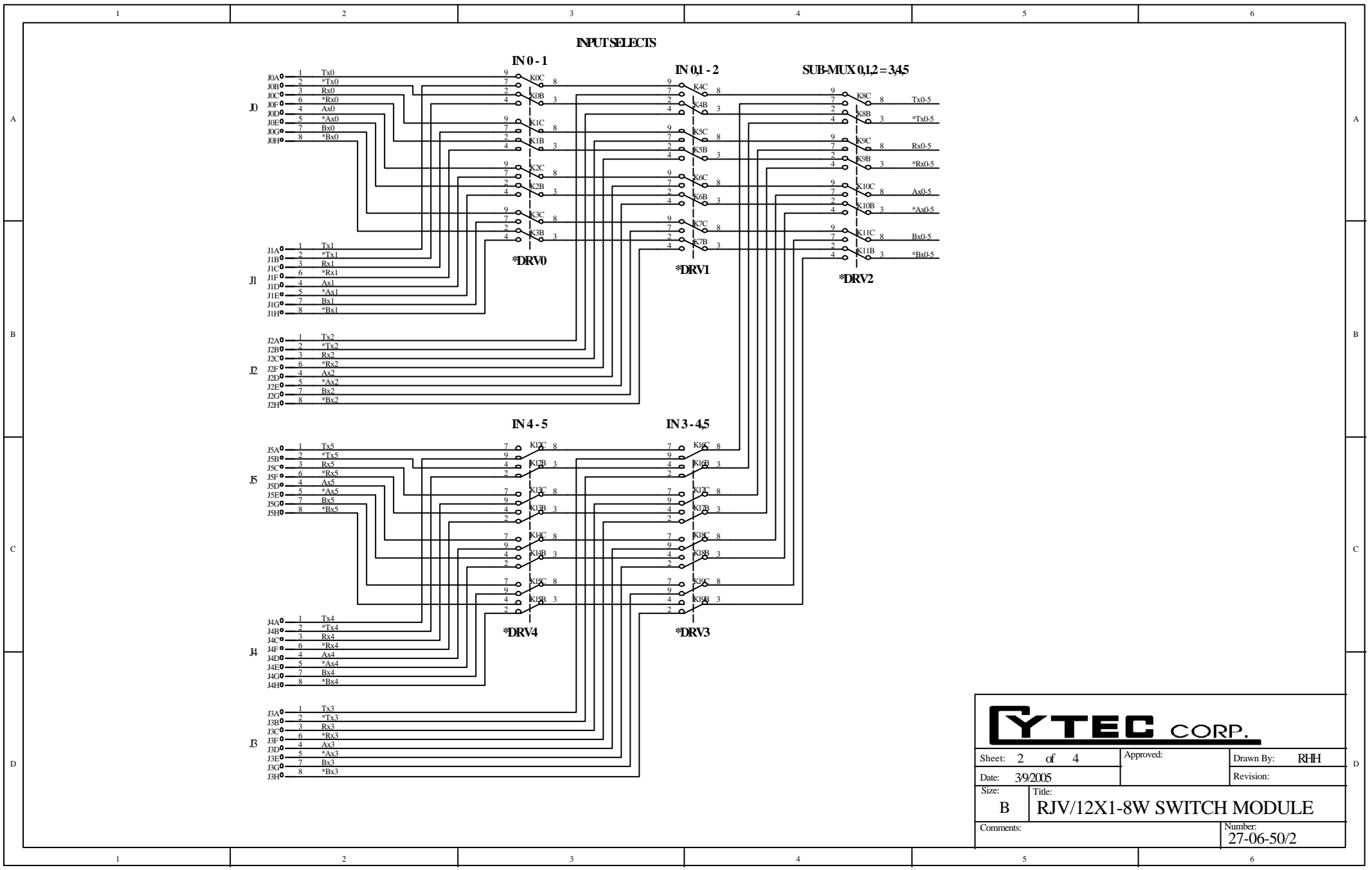
IN0	NONE
IN1	0
IN2	1
IN3	2
IN4	2,3
IN5	2,3,4
IN6	5
IN7	5,6
IN8	5,7
IN9	5,8
IN10	5,8,9
IN11	5,8,9,10

OUTPUT SECTIONS

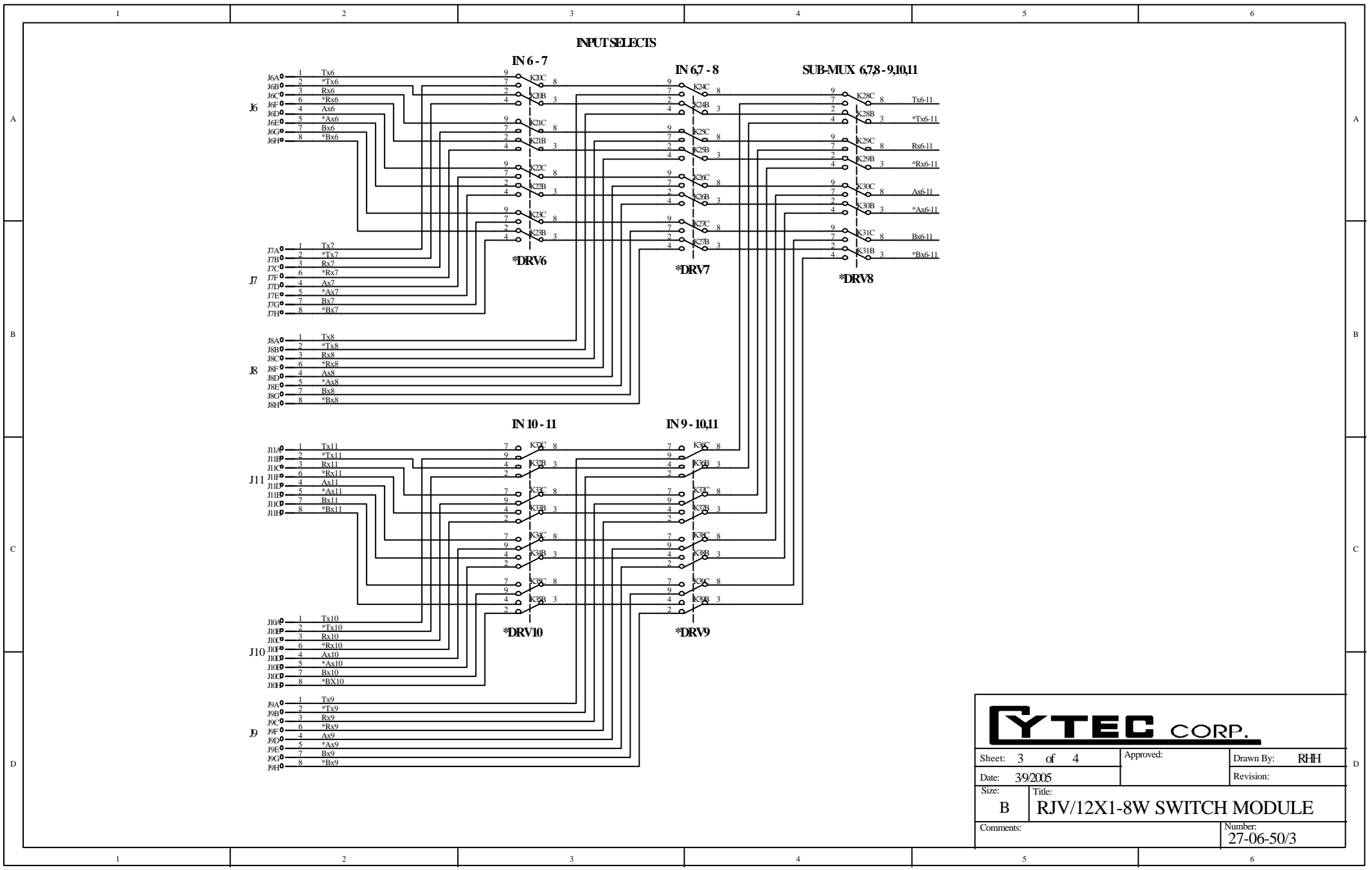
MOD TO BACKPLANE	11,13
MOD TO RH45	12,13
BACKPLANE TO RH45	11,12

YTEC CORP.

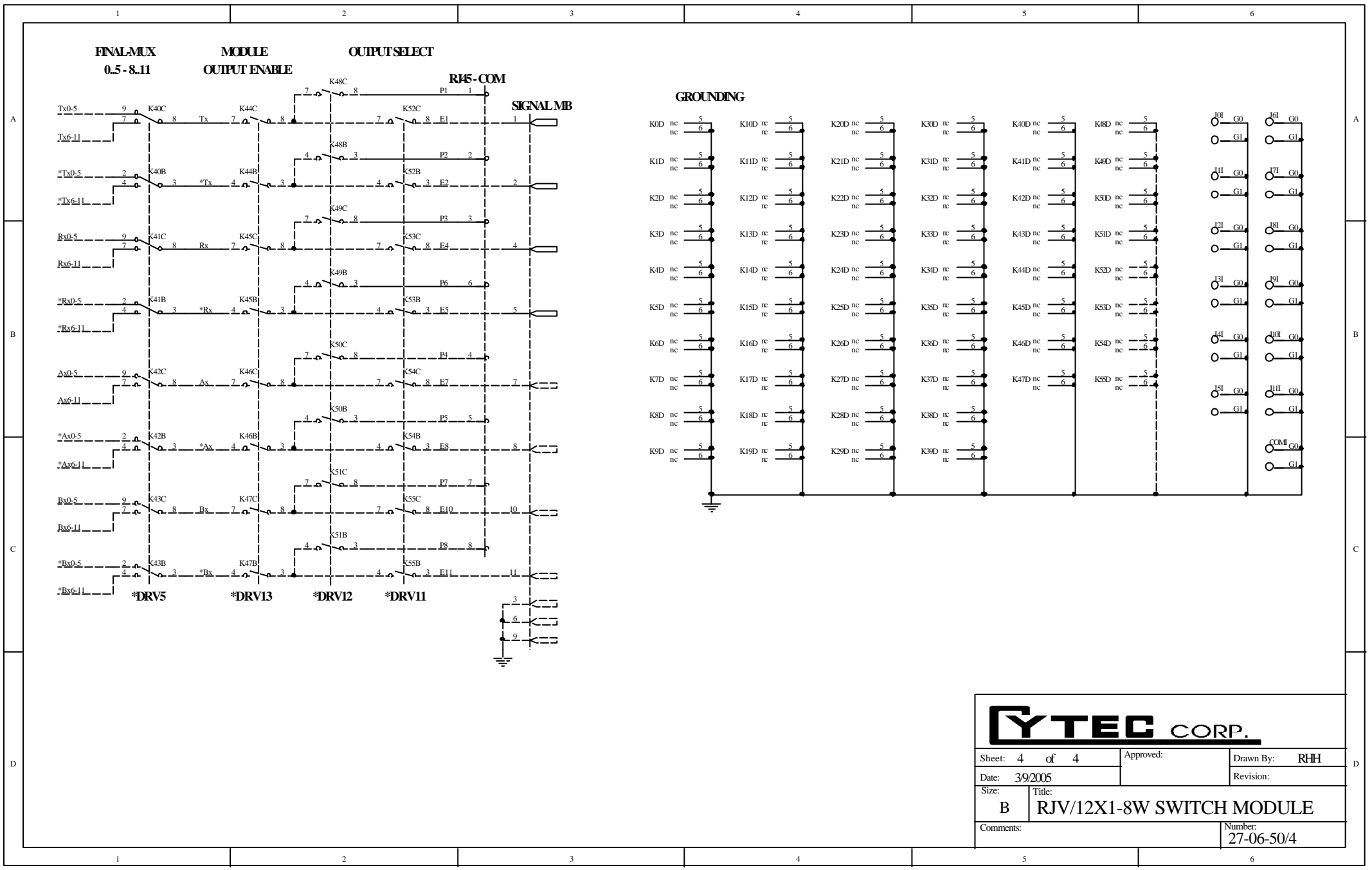
Sheet: 1 of 4	Approved:	Drawn By: RHH
Date: 3/9/2005	Revision:	
Size: B	Title: RJV/12X1-8W SWITCH MODULE	
Comments:	Number: 27-06-50/1	



YTEC CORP.	
Sheet: 2 of 4	Approved: _____
Date: 3/9/2005	Drawn By: RHH
Size: B	Revision: _____
Title: RJV/12X1-8W SWITCH MODULE	Number: 27-06-50/2
Comments: _____	



YTEC CORP.	
Sheet: 3 of 4	Approved: _____
Date: 3/9/2005	Drawn By: RHH
Size: B	Revision: _____
Title: RJV/12X1-8W SWITCH MODULE	Number: 27-06-50/3
Comments: _____	



YTEC CORP.	
Sheet: 4 of 4	Approved: _____
Date: 3/9/2005	Drawn By: RHH
Size: B	Revision: _____
Title: RJV/12X1-8W SWITCH MODULE	Number: 27-06-50/4
Comments: _____	