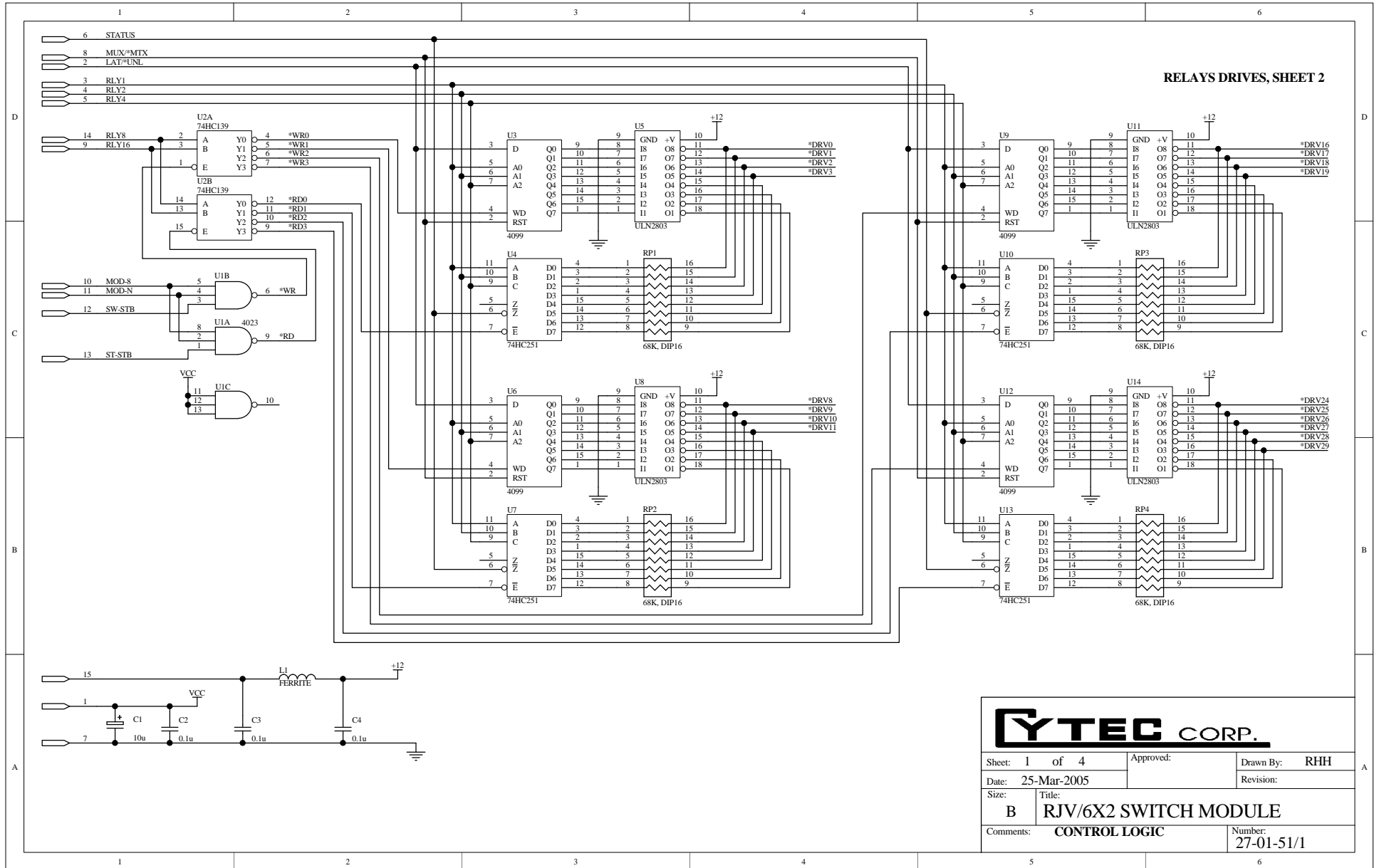


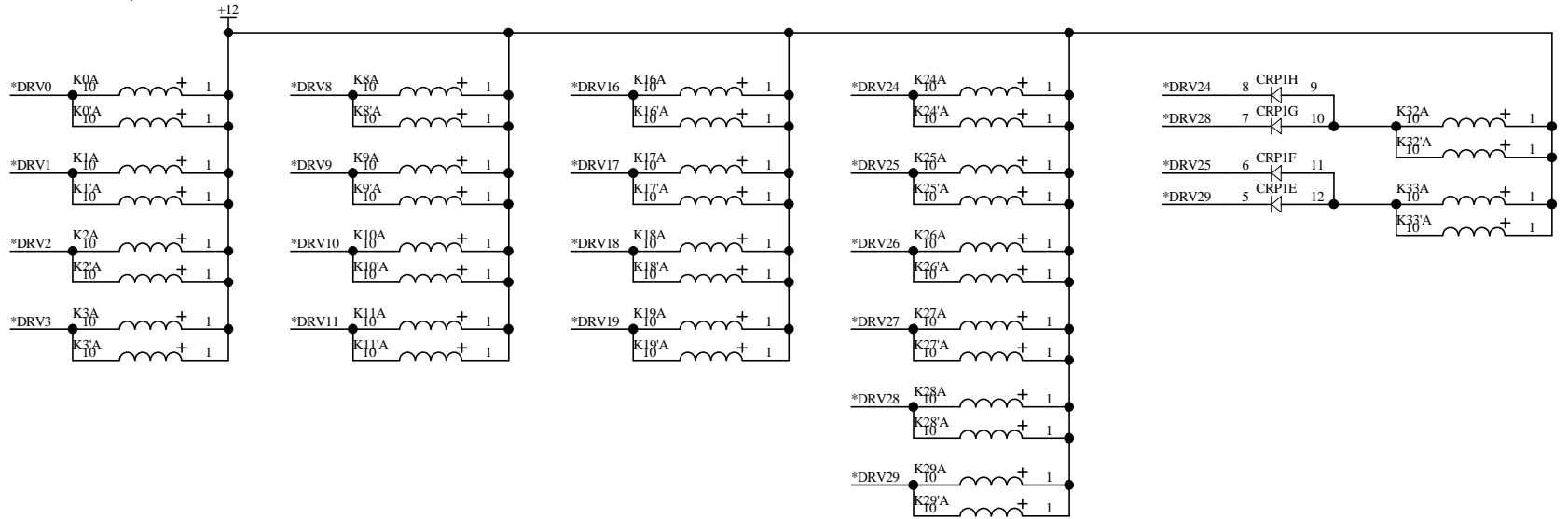
RELAYS DRIVES, SHEET 2



YTEC CORP.

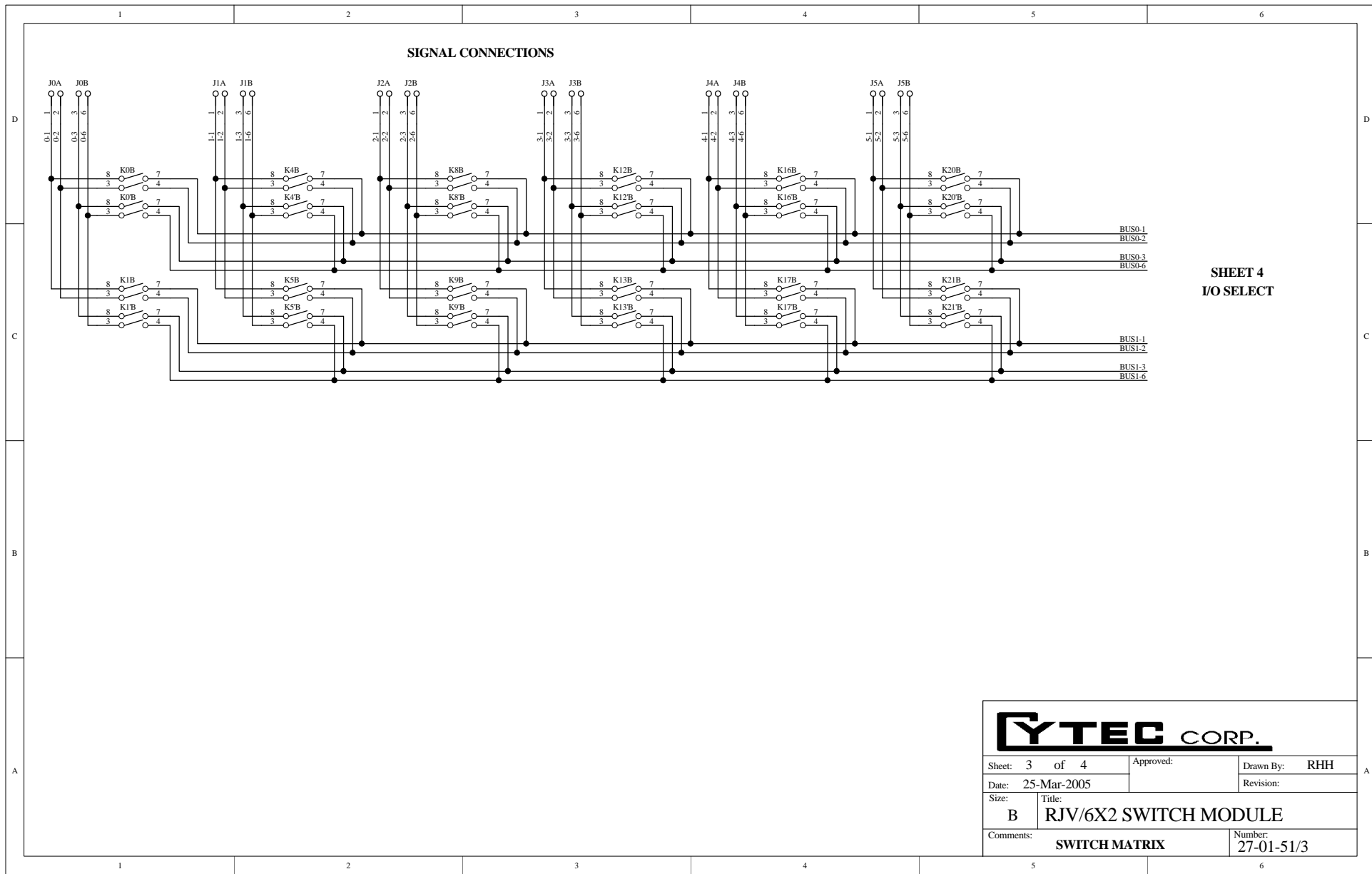
Sheet: 1 of 4	Approved:	Drawn By: RHH
Date: 25-Mar-2005		Revision:
Size: B	Title: RJV/6X2 SWITCH MODULE	
Comments: CONTROL LOGIC	Number: 27-01-51/1	

RELAY DRIVES, SHEET 1



Sheet: 2 of 4		Approved:	Drawn By: RHH
Date: 25-Mar-2005		Revision:	
Size: A4	Title: RJV/6X2 SWITCH MODULE		
Comments: RELAY DRIVES		Number: 27-01-51/2	

SIGNAL CONNECTIONS

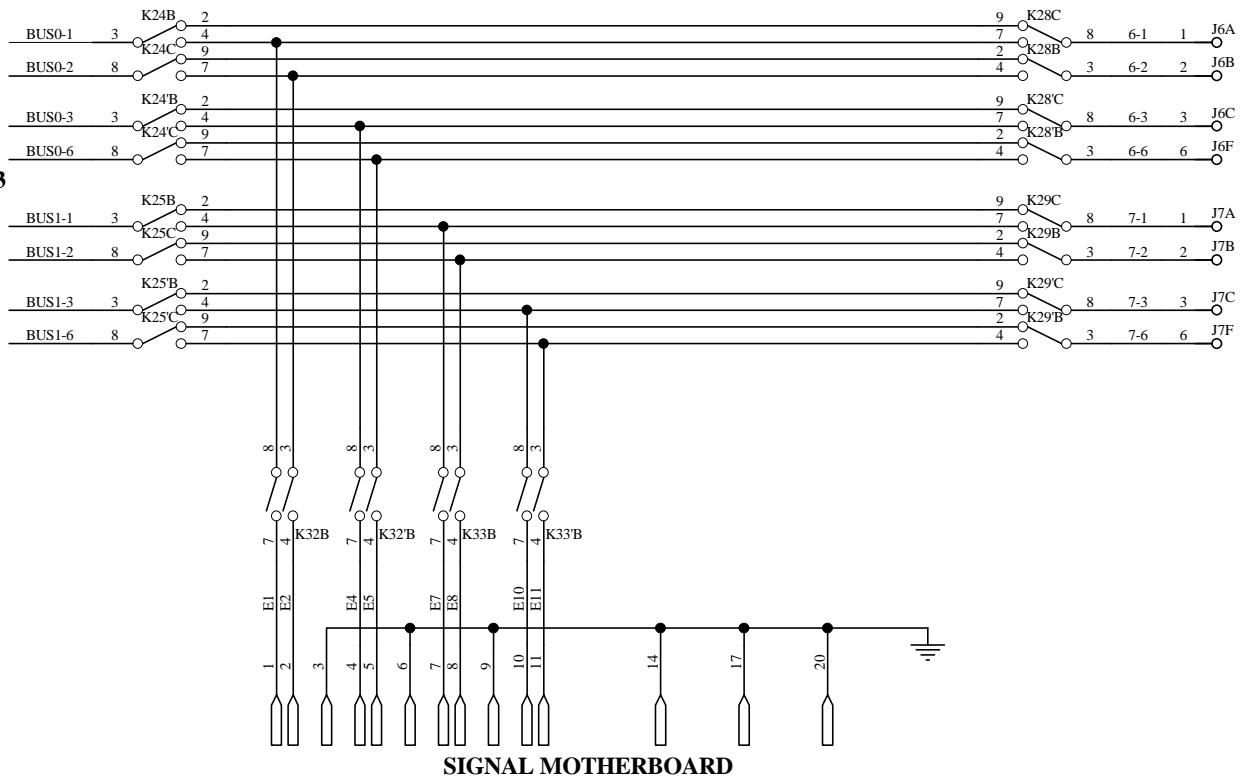


**SHEET 4
I/O SELECT**

YTEC CORP.	
Sheet: 3 of 4	Approved: _____
Date: 25-Mar-2005	Drawn By: RHH
Size: B	Revision: _____
Title: RJV/6X2 SWITCH MODULE	Number: 27-01-51/3
Comments: SWITCH MATRIX	

SHEET 3

SIGNAL CONNECTIONS



YTEC CORP.		
Sheet: 4 of 4	Approved:	Drawn By: RHH
Date: 25-Mar-2005		Revision:
Size: A4	Title: RJV/6X2 SWITCH MODULE	
Comments: I/O SELECT		Number: 27-01-51/4