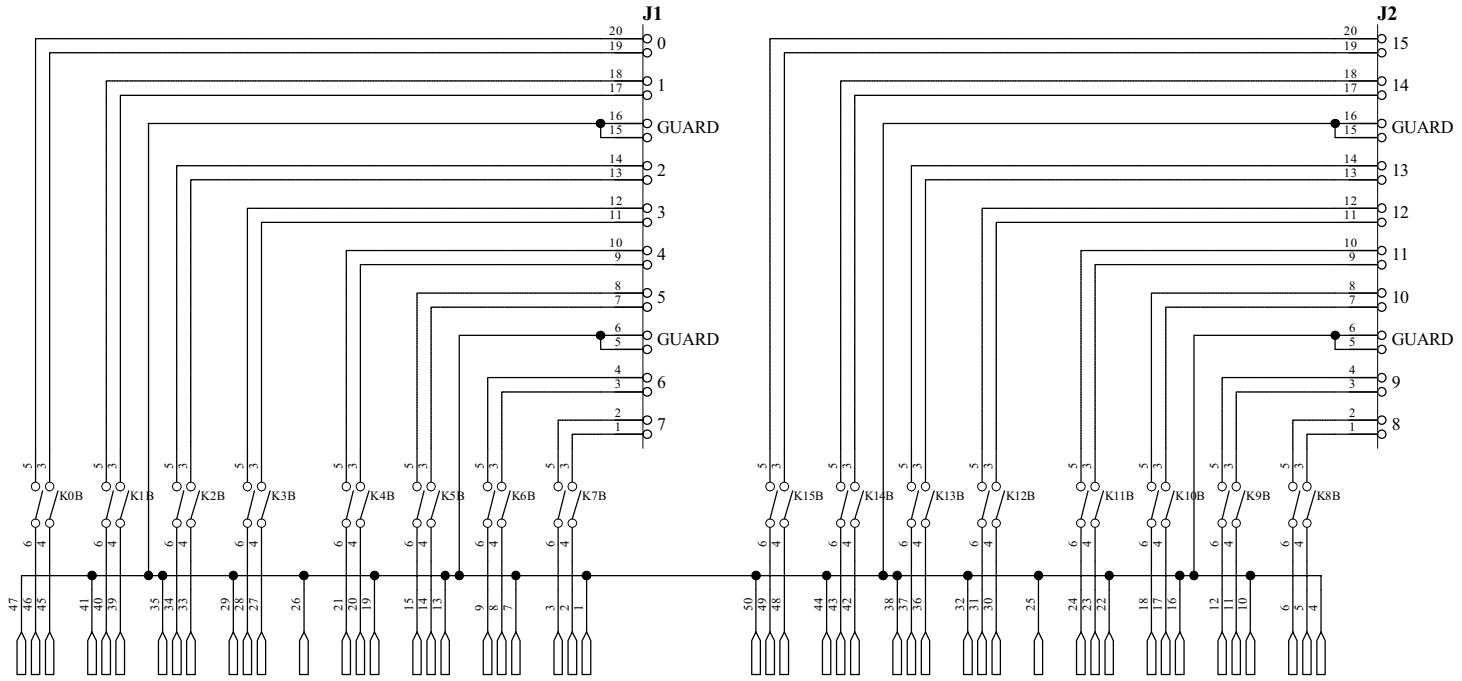
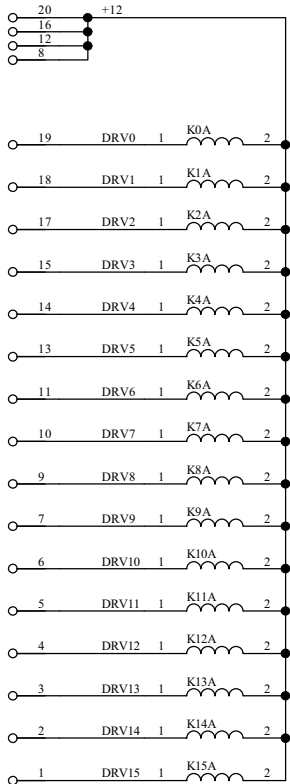


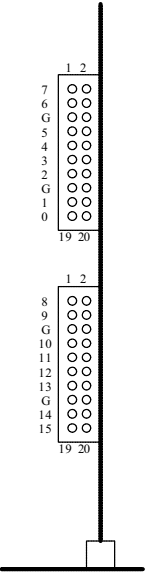
**CL16 DRIVE CONNECTION**



VX16/G1, SINGLE POLE PINOUT

SWITCH #	J1-PIN	SWITCH #	J2-PIN
0	19	8	1
1	17	9	3
2	13	10	7
3	11	11	9
4	9	12	11
5	7	13	13
6	3	14	17
7	1	15	19

**REAR VIEW**



REVISED FROM: 6-024-3



APPROVED BY	DRAWING NUMBER	DRAWN BY: RHB
DATE: 9/7/2004	26-08-50	REVISION:
SIZE: B	TITLE: VX16/G SWITCH MODULE	
26-08-50.schdoc	SHEET 1 OF 1	