

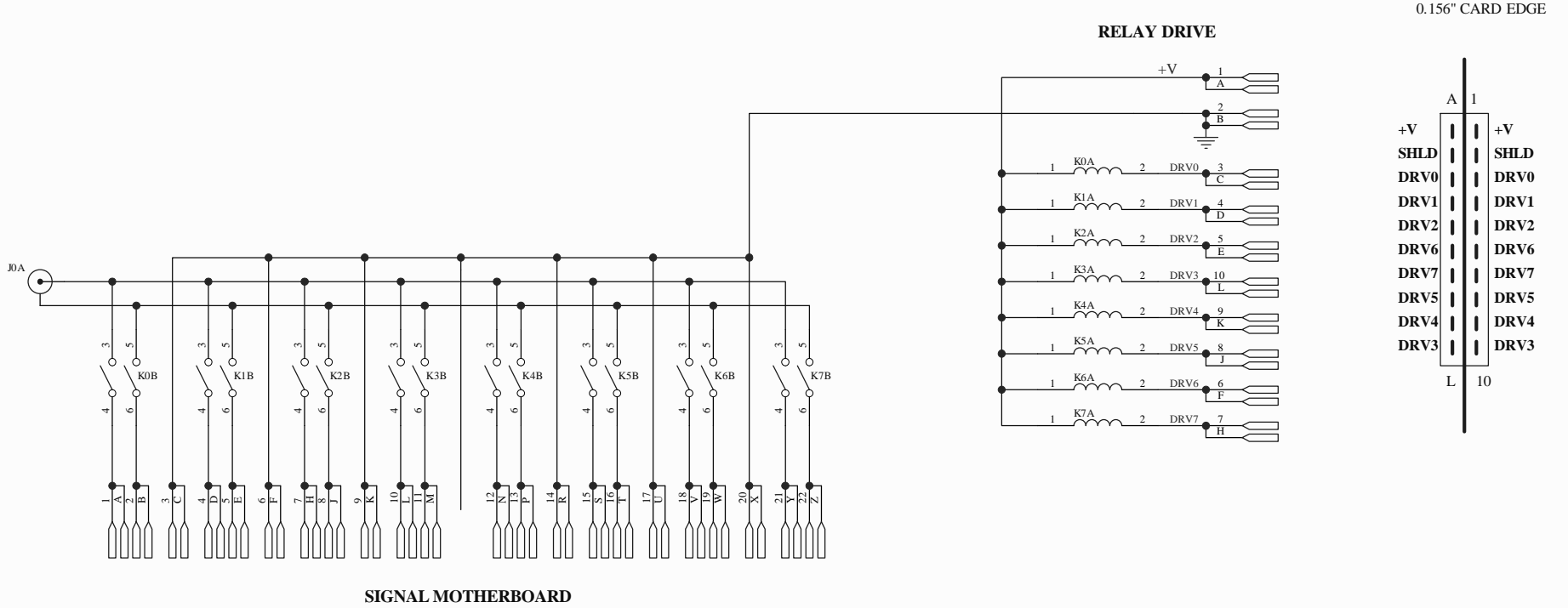
1 2 3 4 5 6

A

B

C

D



YTEC CORP.

APPROVED BY	DRAWING NUMBER	DRAWN BY: RHB
DATE: 8/5/2004	20-91-50	REVISION:
SIZE: B	TITLE: CXB/1X8-2 SWITCH MODULE	
20-91-50.schdoc		SHEET 1 OF 1

1 2 3 4 5 6