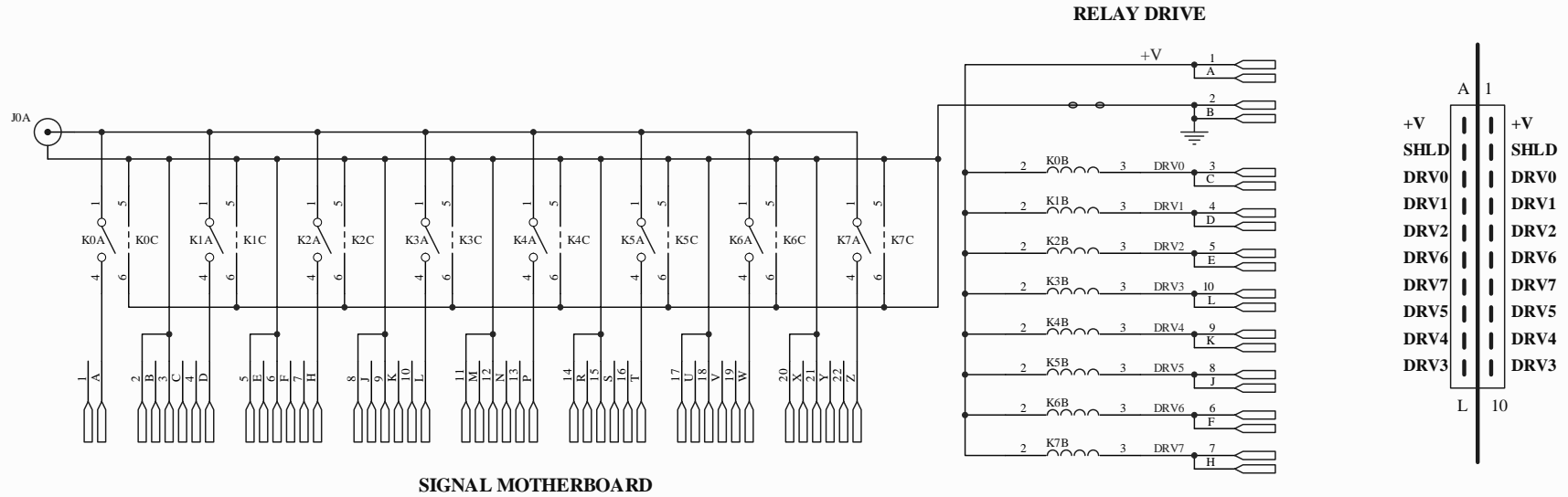


0.156" CARD EDGE



REVISED FROM: 2-206-1



APPROVED BY	DRAWING NUMBER	DRAWN BY: RHB
DATE: 11/18/2008	20-05-50	REVISION:
SIZE: B	TITLE: CXB/1X8-1S SWITCH MODULE	
20-05-50.SCHDOC		SHEET 1 OF 1