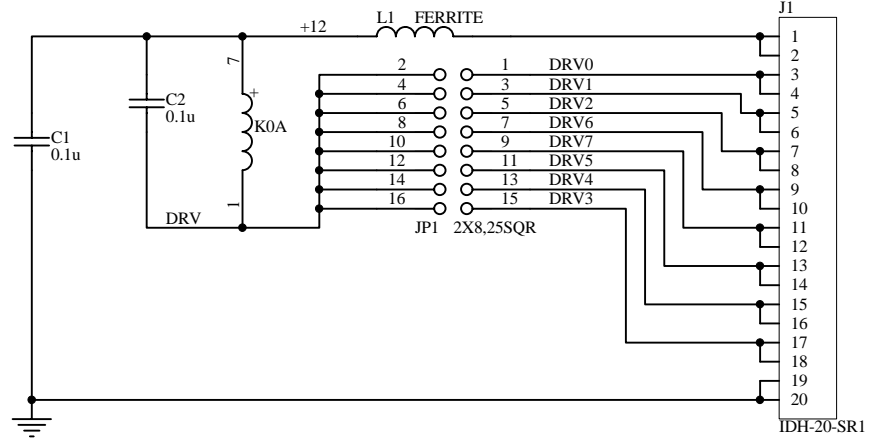
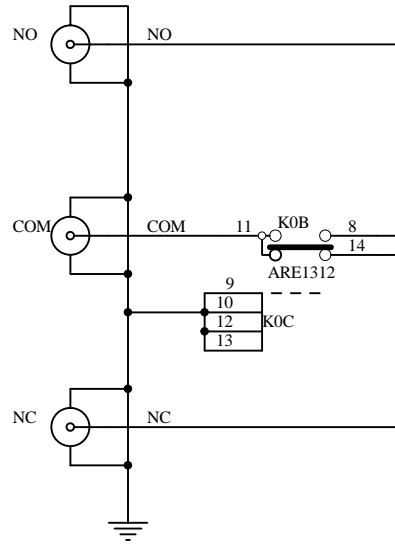
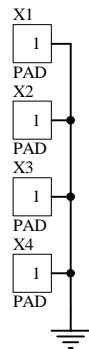


### F CONNECTORS



### MOUNTING PADS



# YTEC CORP.

APPROVED BY	DRAWING NUMBER	DRAWN BY: KJA
DATE: 17-Apr-2009	30-31-50	REVISION:
SIZE: A	TITLE: CXR/2X1-G-75-F SW MOD.	
		SHEET 1 OF 1