

1 2 3 4 5 6

D

D

C

C

B

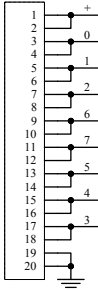
B

A

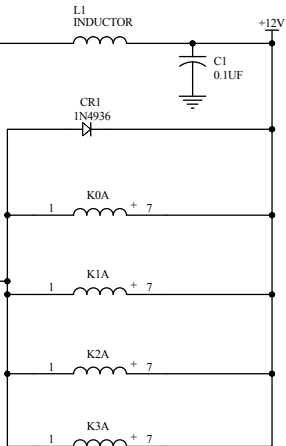
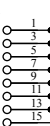
A

RELAY DRIVE CONNECTOR

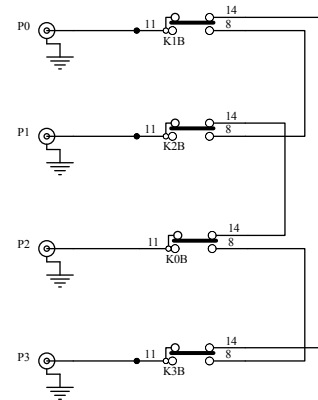
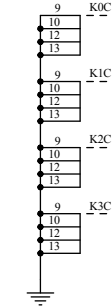
J1



JP1



RELAY GROUNDS



REVISED FROM:

<b>YTEC CORP.</b>		
APPROVED BY	DRAWING NUMBER	DRAWN BY: KJA
DATE: 27-Feb-2014	30-26-50-1	REVISION:
SIZE: B	TITLE: CXR/2X2-G-75 SWITCH MODULE	
30-26-50-1.sch	SHEET 1 OF 1	

1 2 3 4 5 6