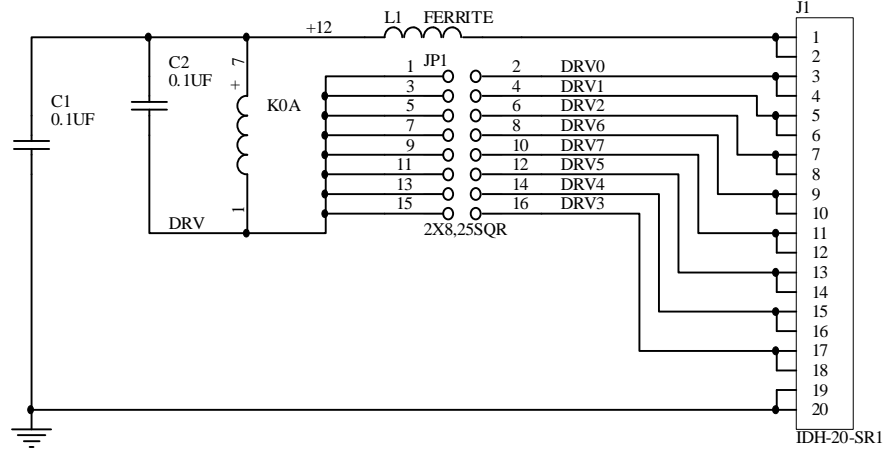
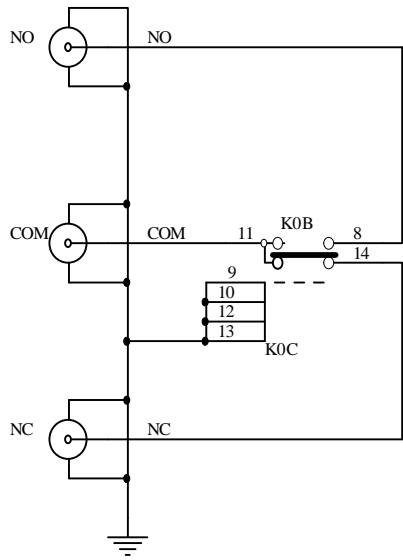
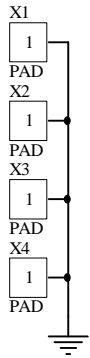


**BNC**



**MOUNTING PADS**



REVISED FROM:



APPROVED BY	DRAWING NUMBER	DRAWN BY: RHB
DATE: 10/25/2005	30-25-50	REVISION:
SIZE: A	TITLE: CXR/2X1-G-50 SW MODULE	
30-25-50.schdoc		SHEET 1 OF 1