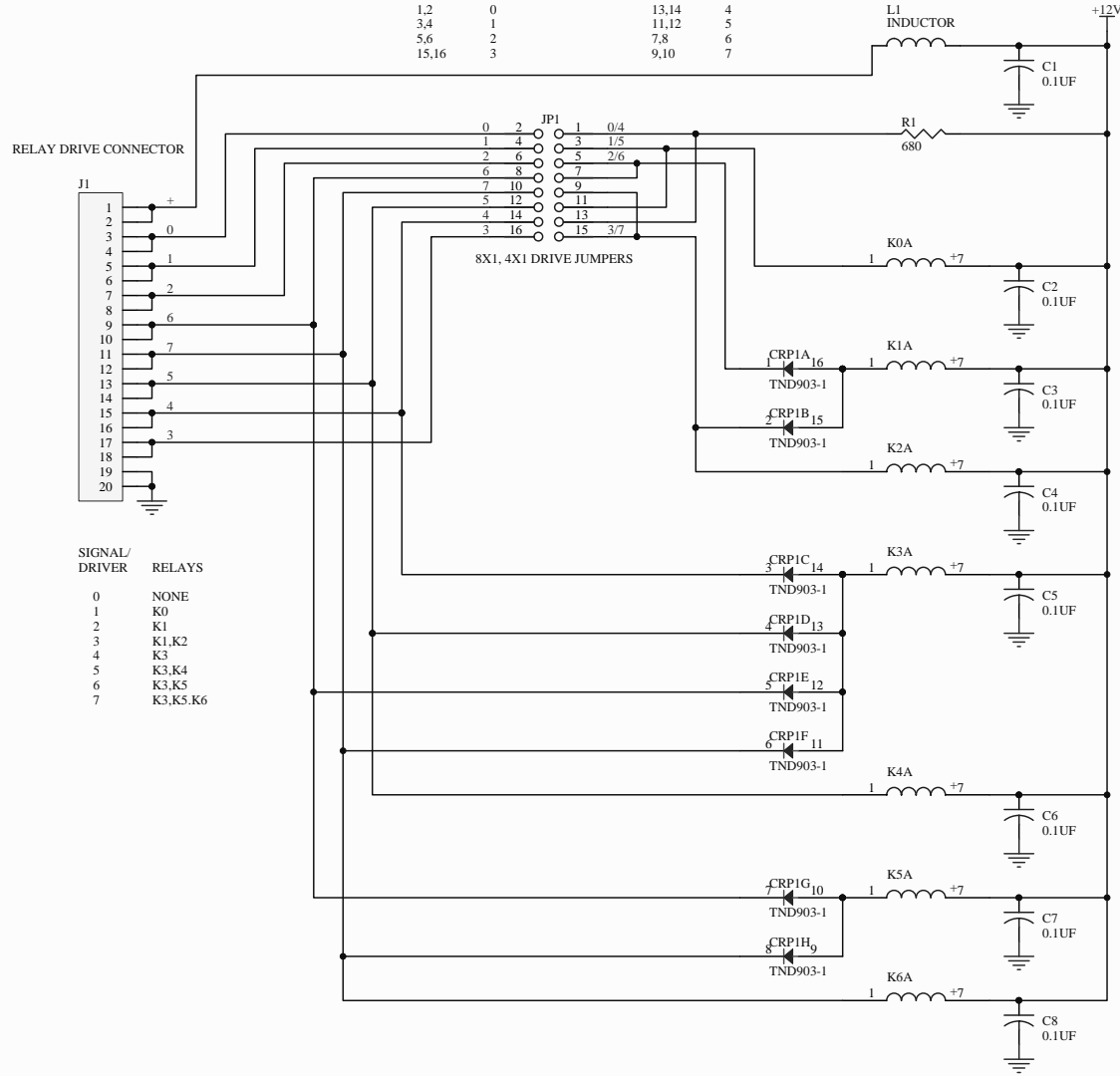


### DRIVE JUMPER KEY

**8x1 & 4x1 Using Drives 0-3**      **4x1 Using Drives 4-7**

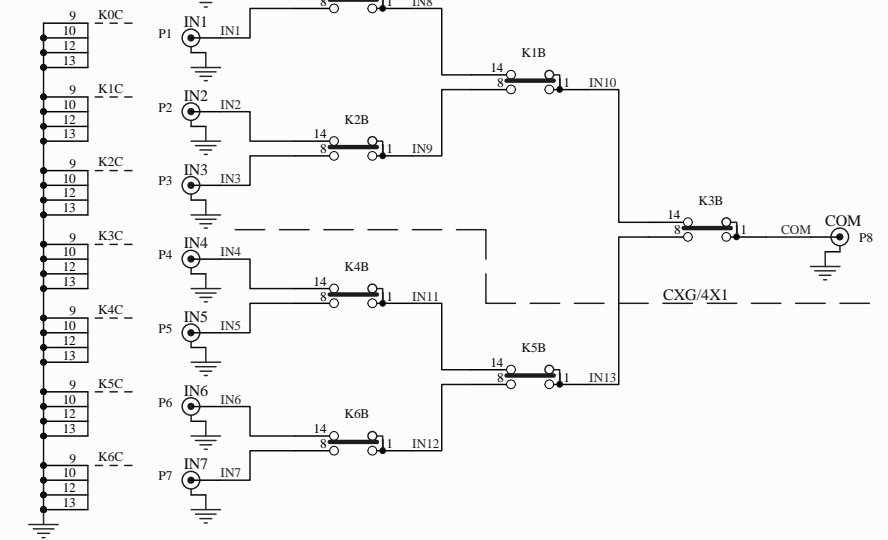
JUMPER PINS	DRIVE	JUMPER PINS	DRIVE
1,2	0	13,14	4
3,4	1	11,12	5
5,6	2	7,8	6
15,16	3	9,10	7



SIGNAL/DRIVER RELAYS

0	NONE
1	K0
2	K1
3	K1,K2
4	K3
5	K3,K4
6	K3,K5
7	K3,K5,K6

#### RELAY GROUNDS



REVISED FROM:



APPROVED BY	DRAWING NUMBER	DRAWN BY: RHB
DATE: 10/1/2013	30-18-50	REVISION:
SIZE: B	TITLE: CXG/8X1 (75 OHM) SWITCH MODULE	
30-18-50.SchDoc		SHEET 1 OF 1