

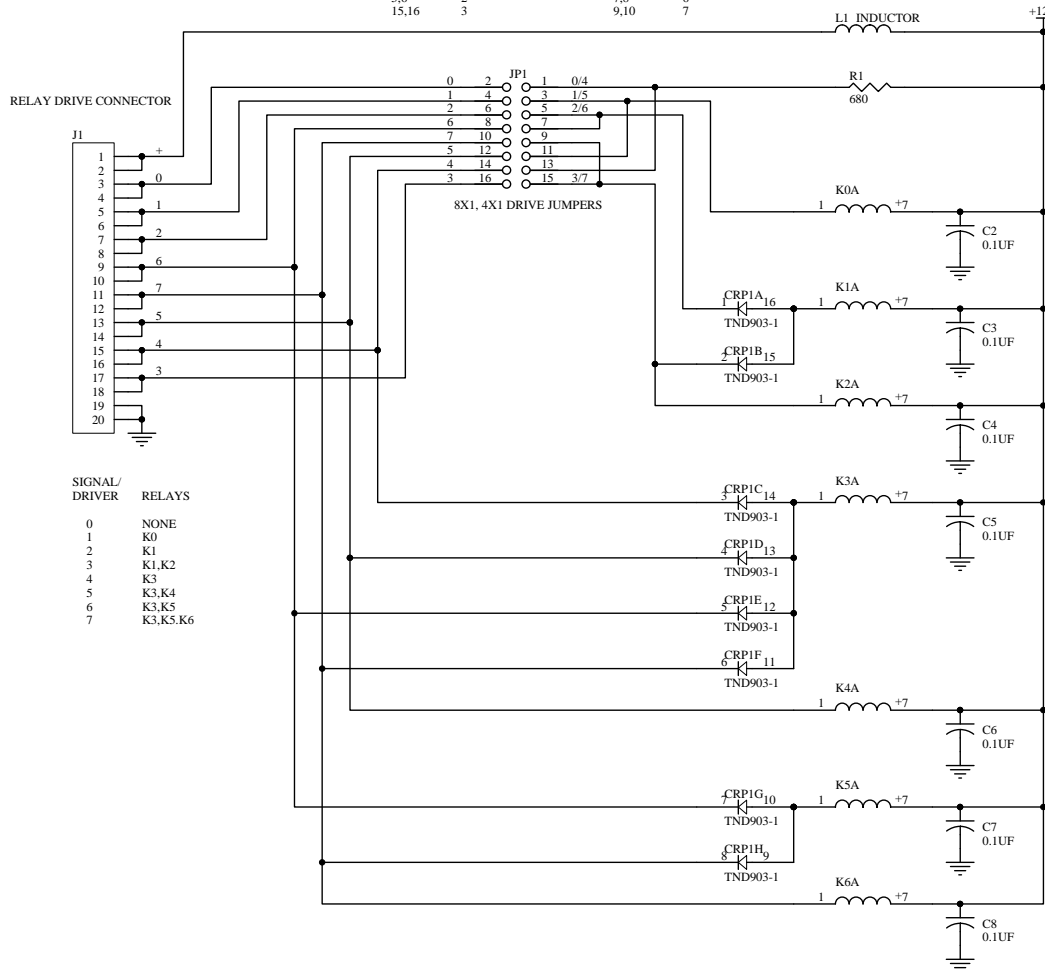
### DRIVE JUMPER KEY

#### 8x1 & 4x1 Using Drives 0-3

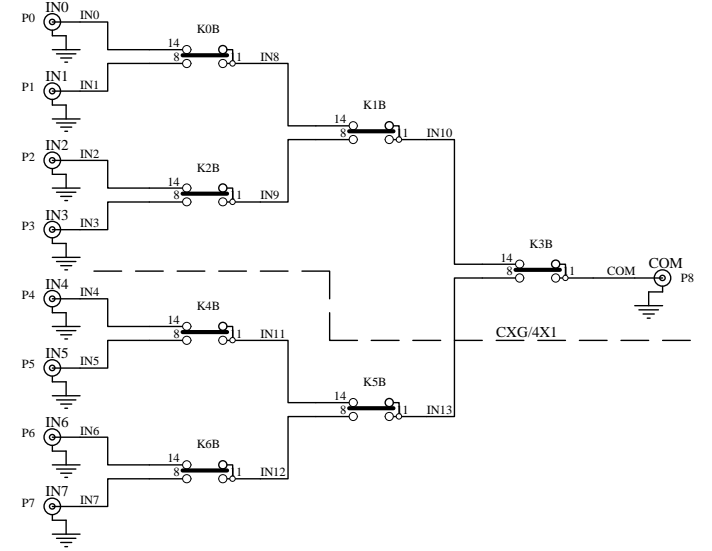
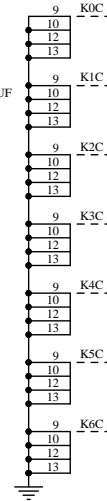
JUMPER PINS	DRIVE
1,2	0
3,4	1
5,6	2
15,16	3

#### 4x1 Using Drives 4-7

JUMPER PINS	DRIVE
13,14	4
11,12	5
7,8	6
9,10	7



#### RELAY GROUNDS



REVISED FROM:



APPROVED BY	DRAWING NUMBER	DRAWN BY: RHB
DATE: 10/1/2013	30-17-50	REVISION:
SIZE: B	TITLE: CXG/8X1 (50 0HM) SWITCH MODULE	
30-17-50.SchDoc		SHEET 1 OF 1