

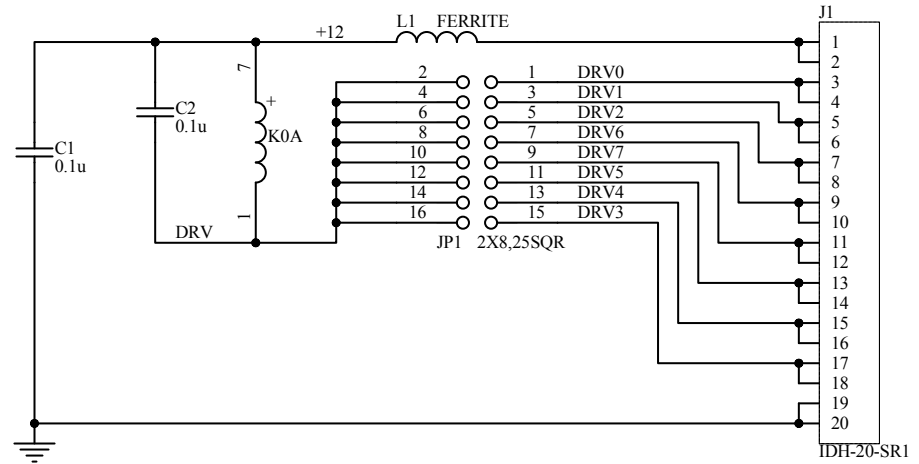
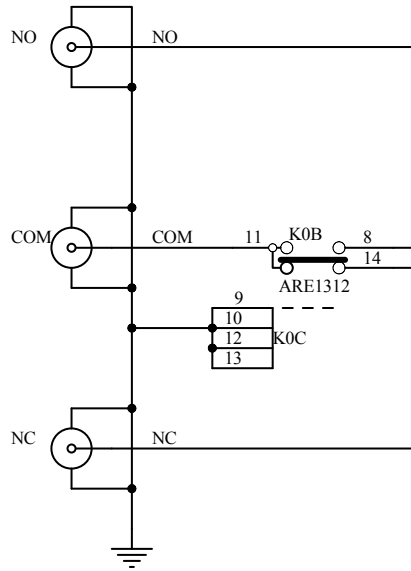
1

2

3

4

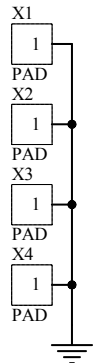
BNC



Place Single Jumper Across JP1 At Desired Drive Location To Actuate Relay

Drive Numbers Are Labeled On PCB

MOUNTING PADS



APPROVED BY		DRAWING NUMBER		DRAWN BY:KJA	
DATE: 1-Oct-2013		30-10-50-1		REVISION:	
SIZE: A		TITLE: CXR/2X1-75 SW MODULE			
				SHEET 1 OF 1	

1

2

3

4