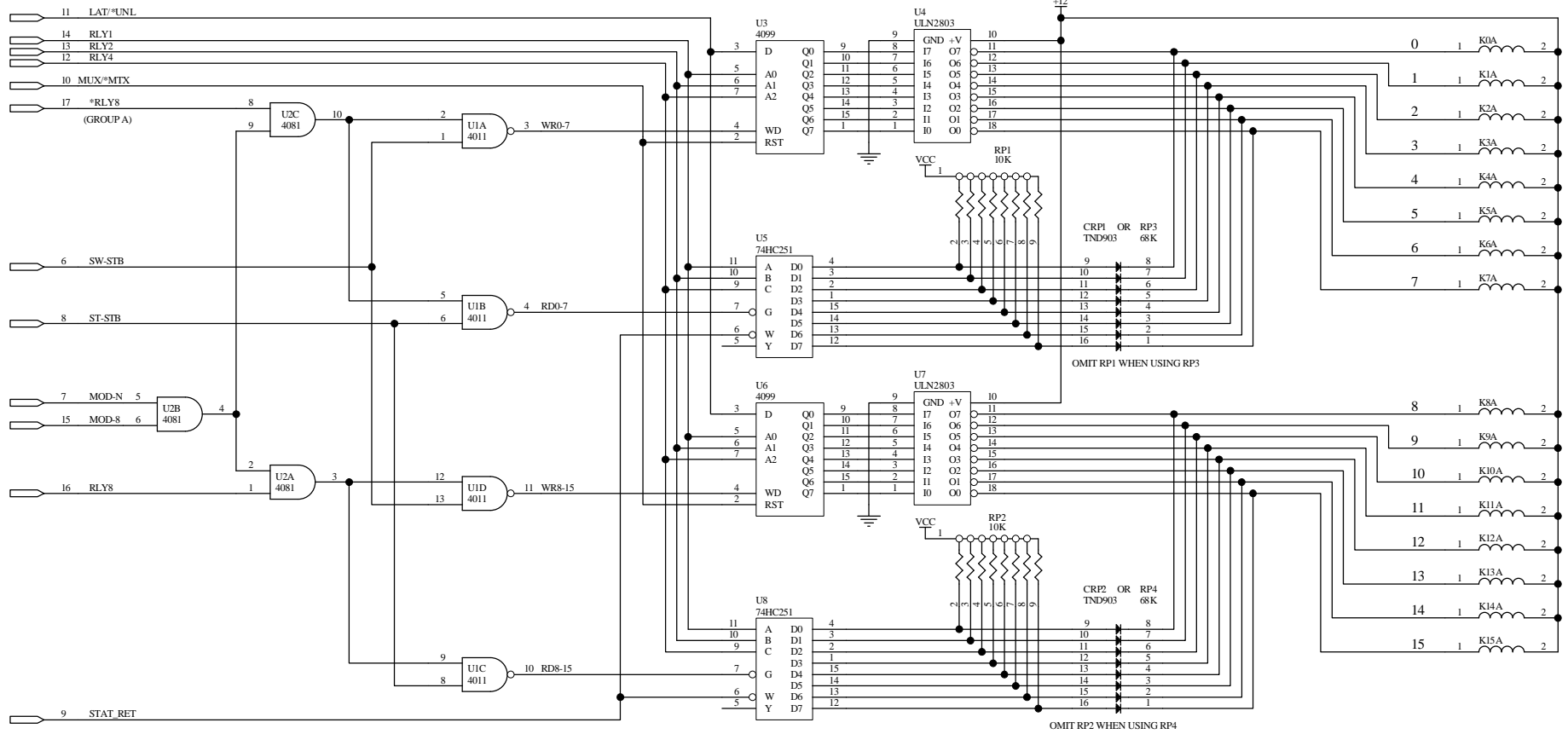


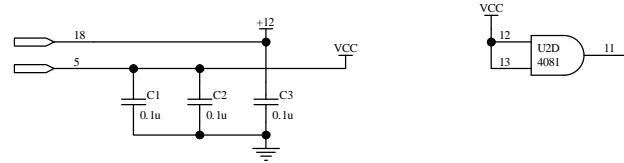
**E1 EDGE CONNECTOR**

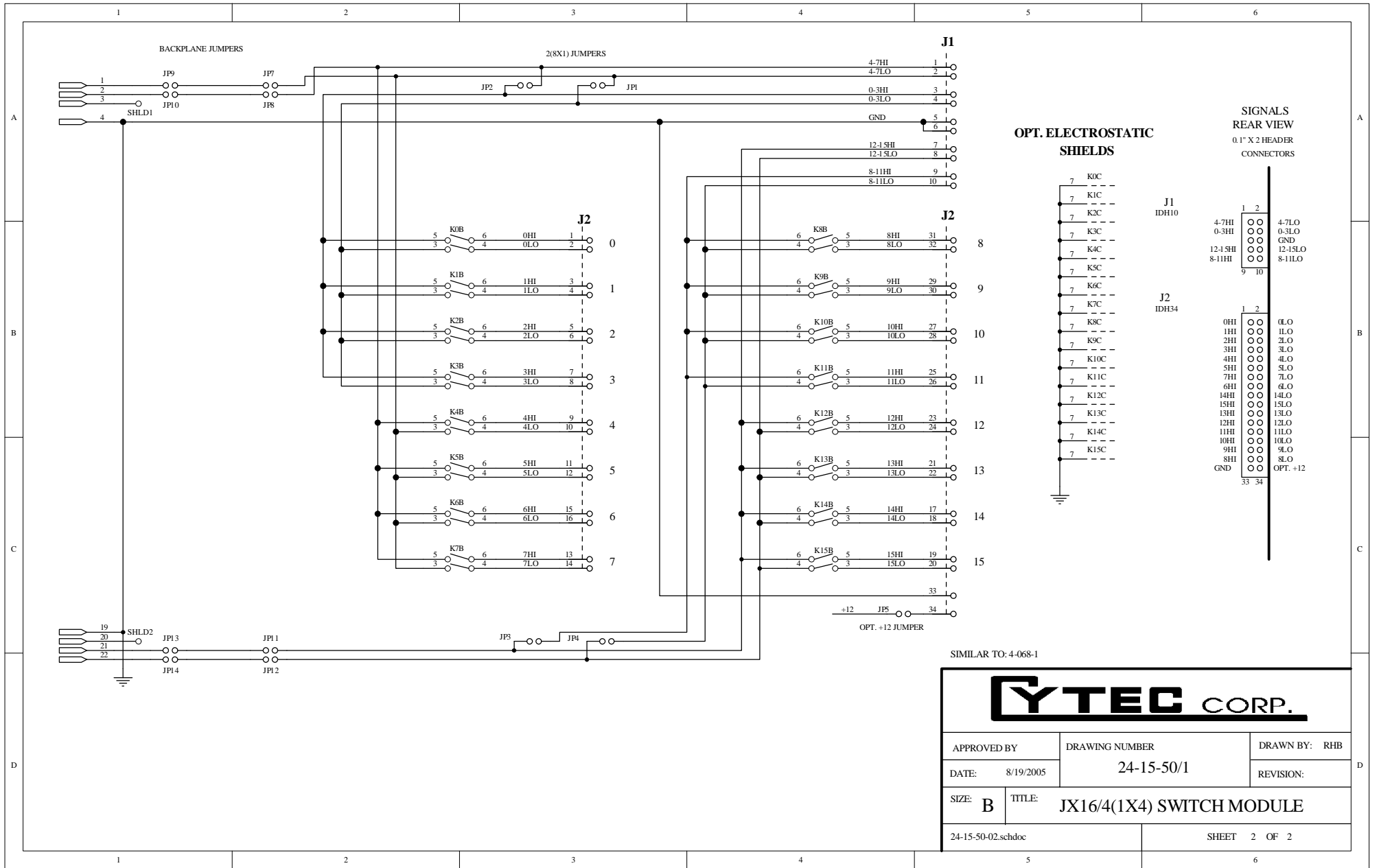


SIMILAR TO: 4-068-1



APPROVED BY		DRAWING NUMBER		DRAWN BY: RHB	
DATE: 8/19/2005		24-15-50/1		REVISION:	
SIZE: B	TITLE: JX16/4(1X4) SWITCH MODULE				
24-15-50-01.schdoc				SHEET 1 OF 2	





SIMILAR TO: 4-068-1

## YTEC CORP.

APPROVED BY	DRAWING NUMBER	DRAWN BY: RHB
DATE: 8/19/2005	24-15-50/1	REVISION:
SIZE: <b>B</b>	TITLE: <b>JX16/4(1X4) SWITCH MODULE</b>	
24-15-50-02.schdoc		SHEET 2 OF 2