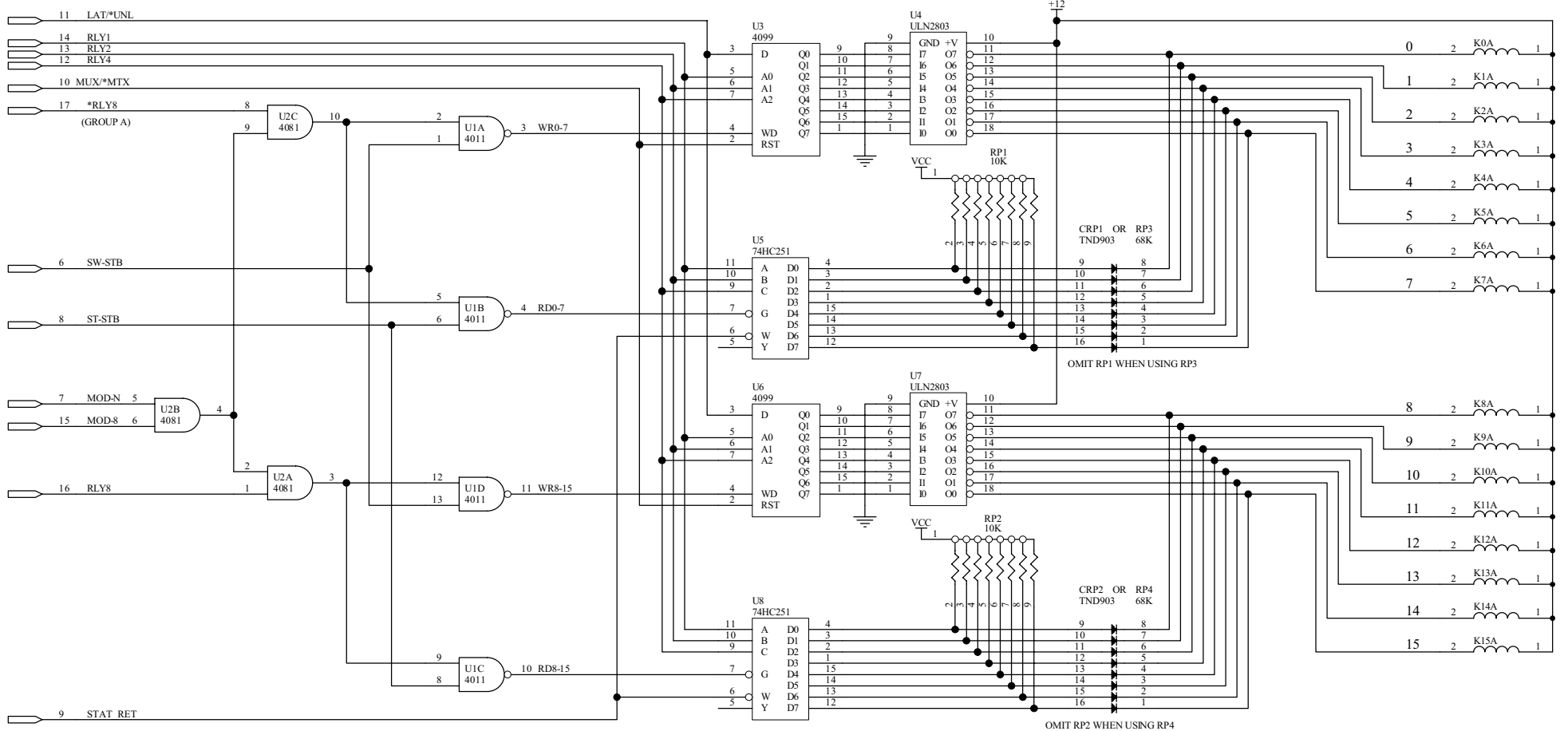


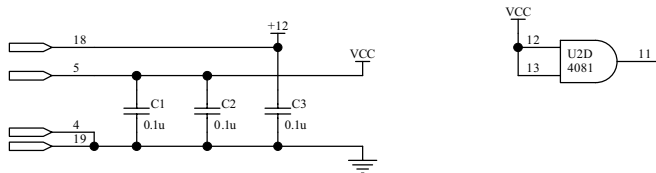
E1 EDGE CONNECTOR



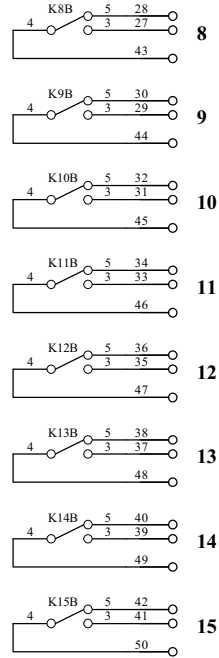
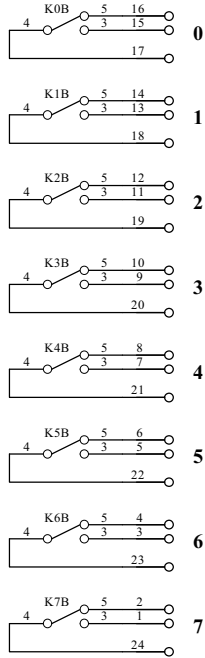
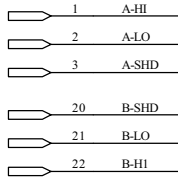
SIMILAR TO: 4-024-2



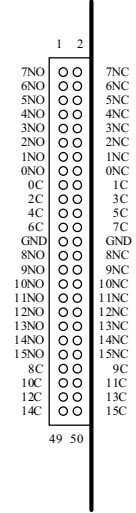
APPROVED BY	DRAWING NUMBER	DRAWN BY: RHB
DATE: 8/17/2004	24-12-50/1	REVISION:
SIZE: B	TITLE: JX16/KCS, JX16/KCM SWITCH MODULE	
24-12-50-01.schdoc		SHEET 1 OF 2



BACKPLANE



**SIGNALS
REAR VIEW**



SIMILAR TO: 4-024-2



APPROVED BY	DRAWING NUMBER	DRAWN BY: RHB
DATE: 8/17/2004	24-12-50/2	REVISION:
SIZE: B	TITLE: JX16/KCS, JX16/KCM SWITCH MODULE	
24-12-50-02.schdoc		SHEET 2 OF 2