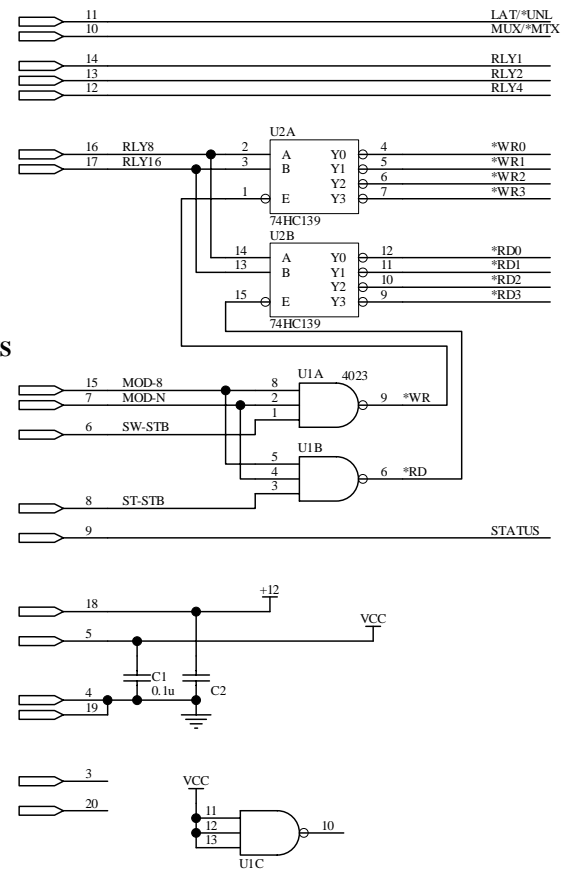
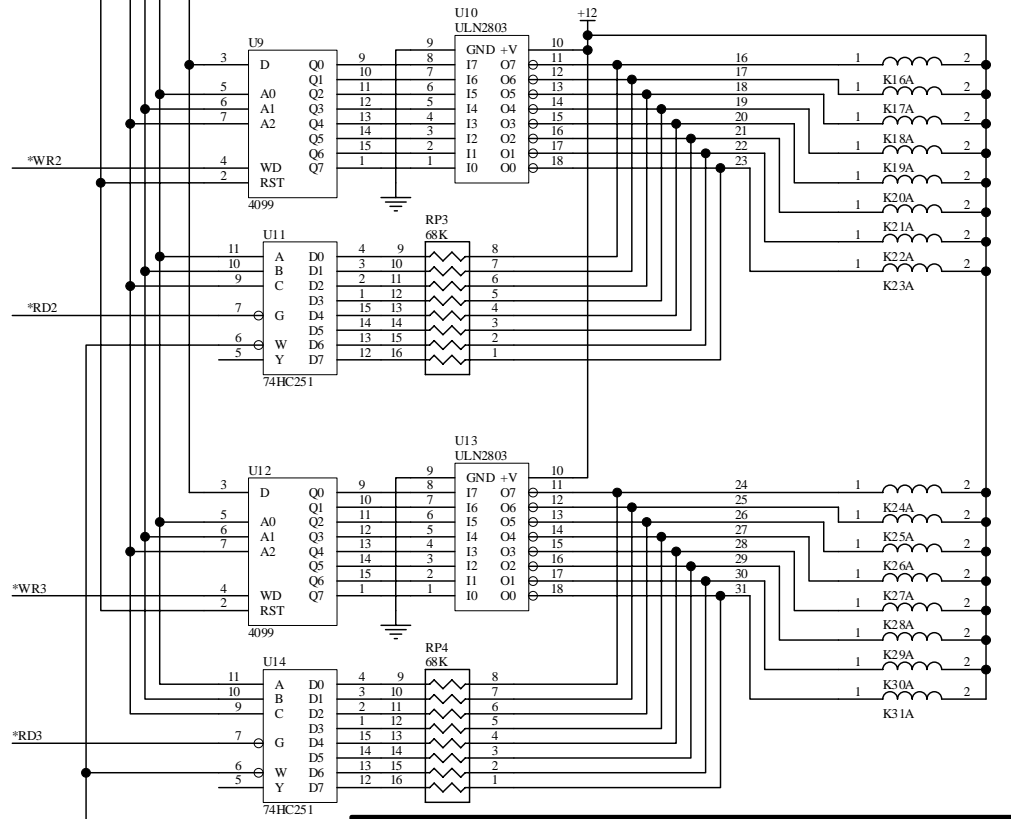
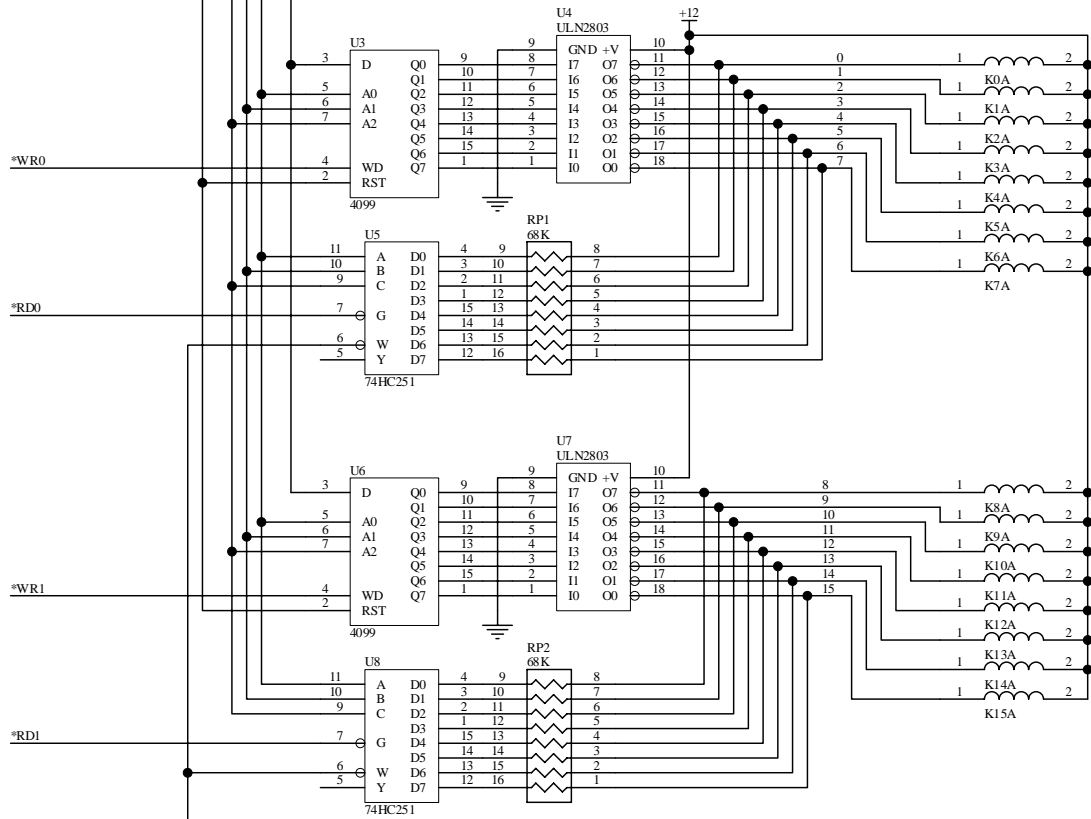


**BACKPLANE
CONTROL
CONNECTIONS**

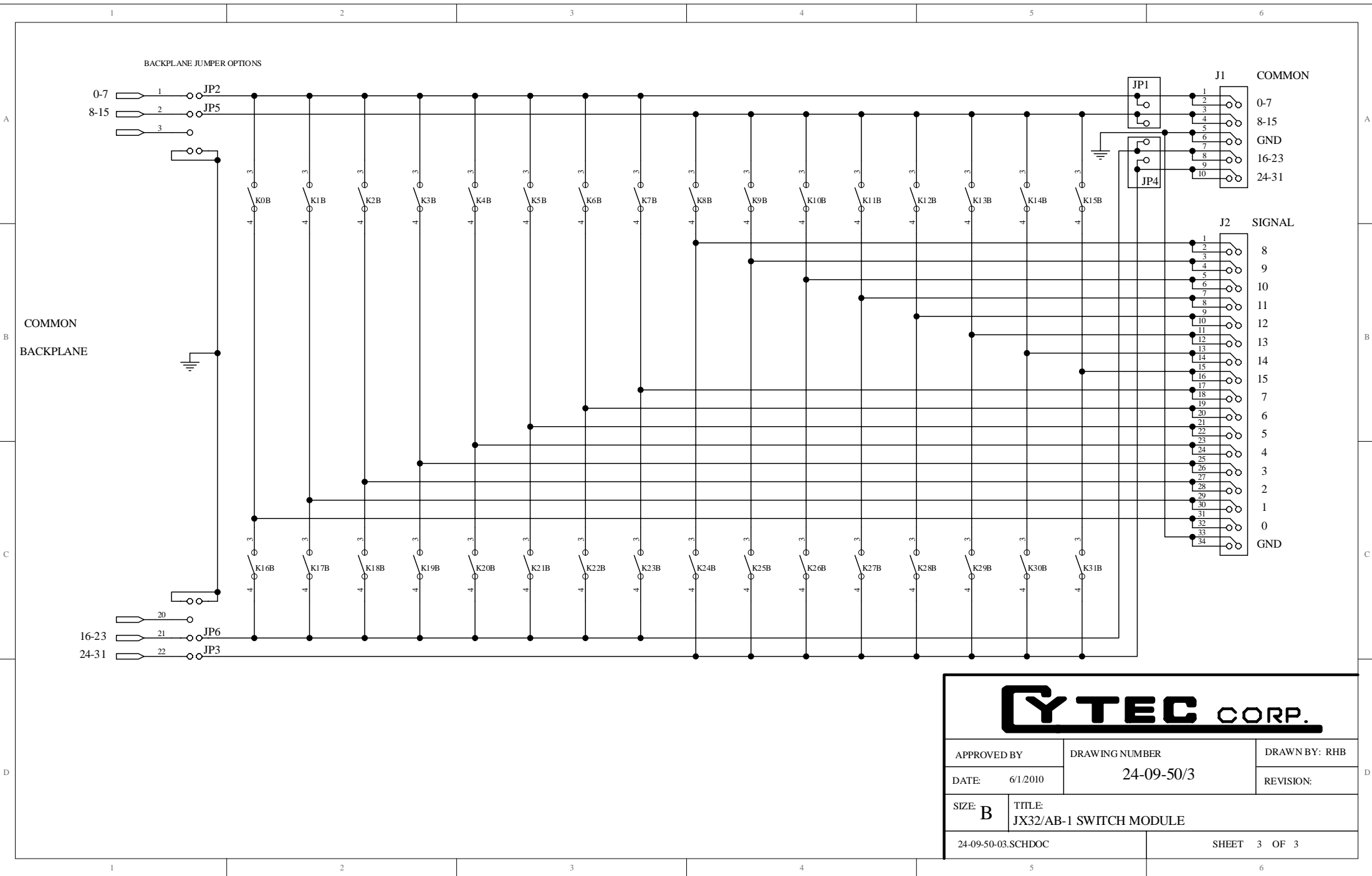


YTEC CORP.		
APPROVED BY	DRAWING NUMBER	DRAWN BY: RHB
DATE: 6/1/2010	24-09-50/1	REVISION:
SIZE: B	TITLE: JX32/AB-1 SWITCH MODULE	
24-09-50-01.SCHDOC		SHEET 1 OF 3

LAT/*UNL
 RLY1
 RLY2
 RLY4
 MUX/*MTX
 *WR0
 *RD0
 *WR1
 *RD1
 STATUS



APPROVED BY		DRAWING NUMBER		DRAWN BY: RHB	
DATE: 6/1/2010		24-09-50/2		REVISION:	
SIZE: B		TITLE: JX32/AB-1 SWITCH MODULE			
24-09-50-02.SCHDOC				SHEET 2 OF 3	



YTEC CORP.

APPROVED BY	DRAWING NUMBER	DRAWN BY: RHB
DATE: 6/1/2010	24-09-50/3	REVISION:
SIZE: B	TITLE: JX32/AB-1 SWITCH MODULE	
24-09-50-03.SCHDOC		SHEET 3 OF 3