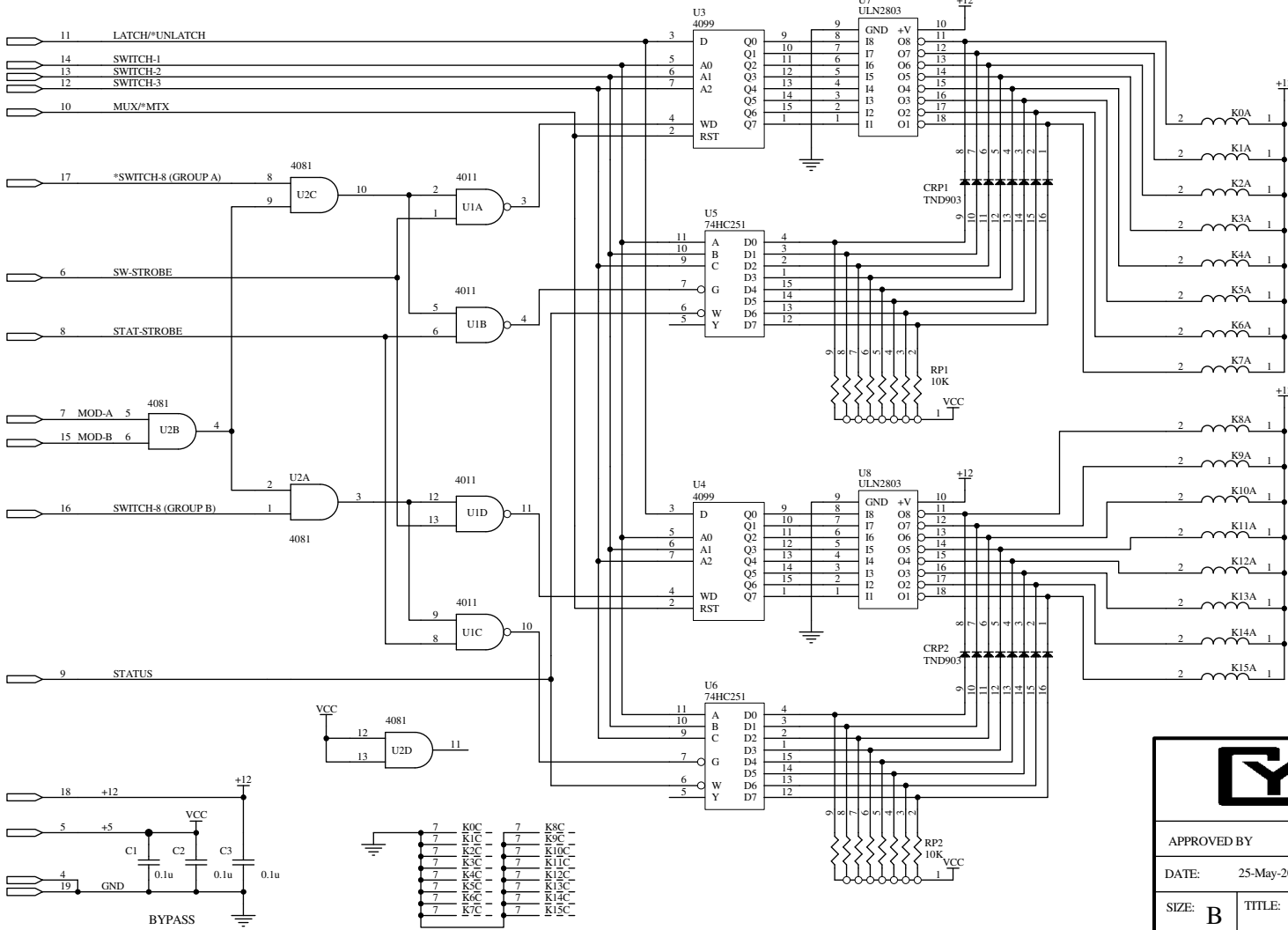
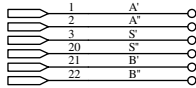


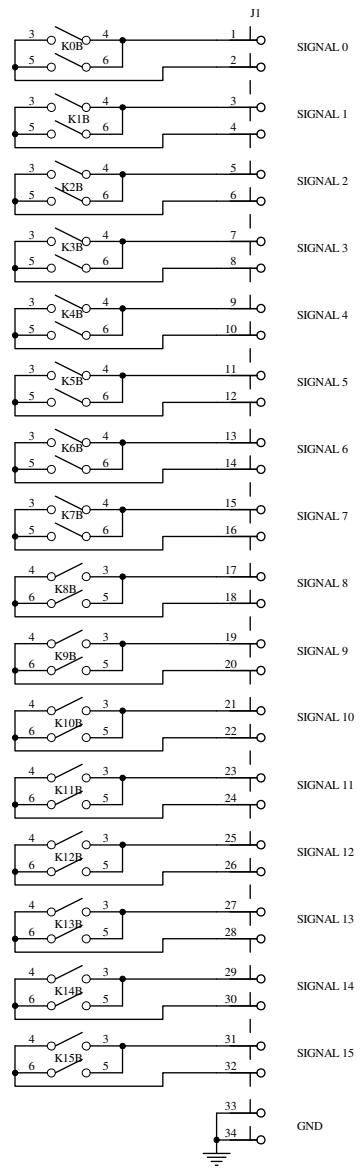
E1 EDGE CONNECTOR



Rev1 5/21/2021: Updated Relay Type/Footprint to Accept Standard or HV 2-Pole Relays

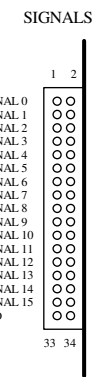


APPROVED BY	DRAWING NUMBER	DRAWN BY: KJA
DATE: 25-May-2021	24-07-50/01	REVISION: 1
SIZE: B	TITLE: JX16/K1 VERSION B	
24-07-50-1-01.sch		SHEET 1 OF 2



E1
EDGE CONNECTOR

1	A-HI
2	A-LO
3	A-SHD
4	GND
5	VCC
6	SW-STB
7	MOD-N
8	ST-STB
9	STAT_RET
10	MUX/MUX
11	LAT/PUNL
12	RLY4
13	RLY2
14	RLY1
15	MOD-S
16	RLY8
17	RLY8
18	+12
19	GND
20	B-SHD
21	B-LO
22	B-HI



YTEC CORP.

APPROVED BY	DRAWING NUMBER	DRAWN BY: KJA
DATE: 25-May-2021	24-07-50/02	REVISION: 1
SIZE: B	TITLE: JX16/K1 VERSION B	
24-07-50-1-02.sch		SHEET 2 OF 2