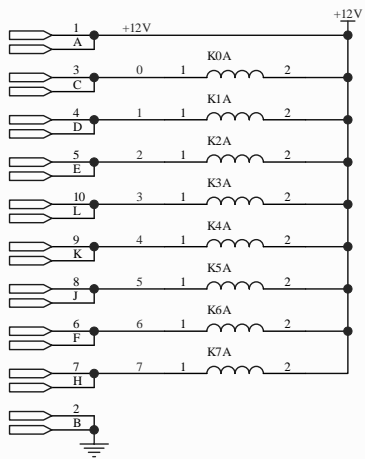
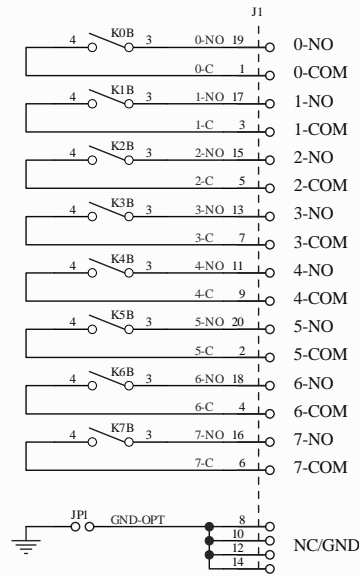


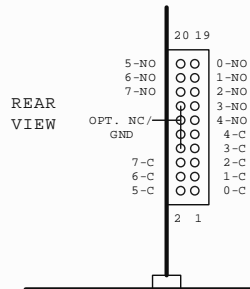
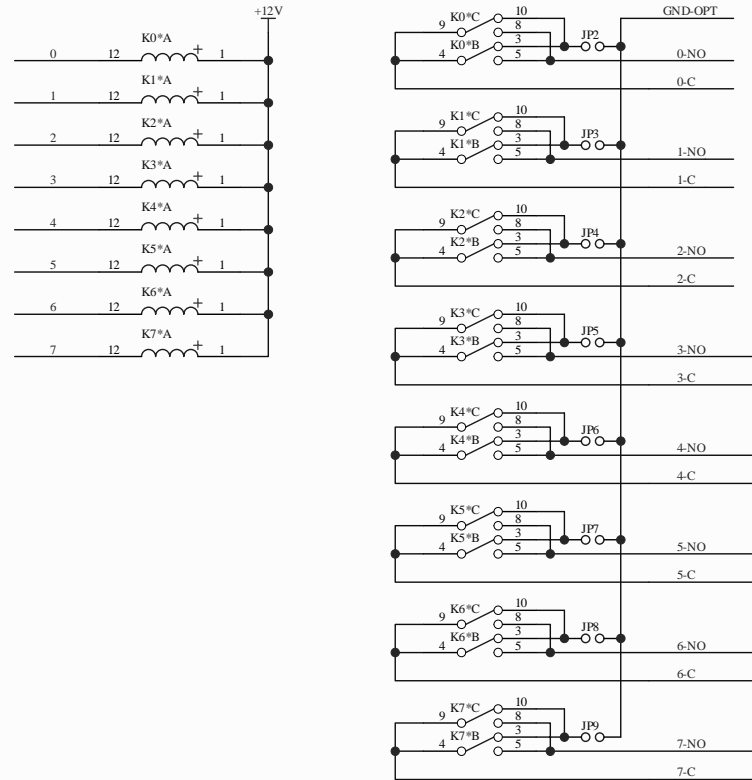
CL8 DRIVE



FORM A RELAYS
(REED)



FORM C RELAYS
(TX-2)



SIMILAR TO:2-009-2

YTEC CORP.		
APPROVED BY	DRAWING NUMBER	DRAWN BY: RHB
DATE: 2/19/2008	22-11-50	REVISION:
SIZE: A3	TITLE: LX8/KI MODULE	
22-11-50	SHEET 1 OF 1	