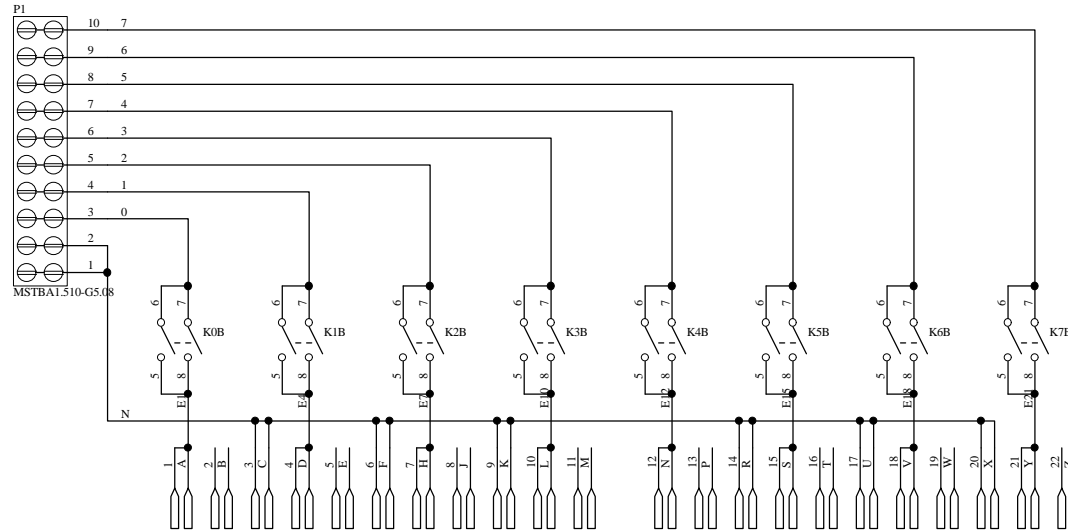
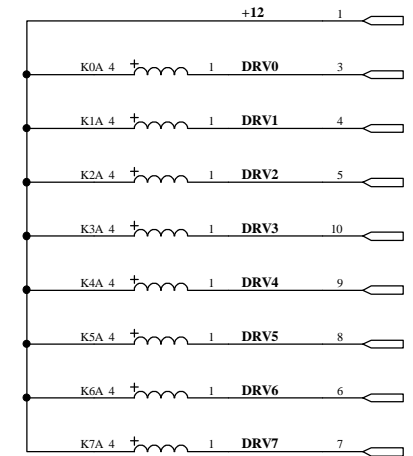


0.2" TERMINAL CONNECTOR



SIGNAL MOTHERBOARD

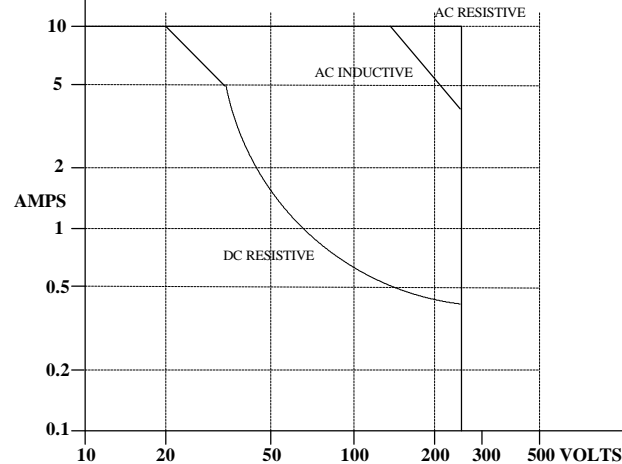
CL8 DRIVE



LX POWER SWITCH MODULE

SWITCHING VOLTAGE	380 VAC
SWITCHING CURRENT	8 AMPS
SWITCHING POWER	
AC	2000 VA
DC	150 W
MOTOR	1/4 HP
INITIAL RESISTANCE	30 mohms
LIFE EXPECTANCY	
FULL LOAD	1E5 Operations
MECHANICAL	1E7 Operations
OPERATE TIME	10 msec
BREAKDOWN	
BETWEEN CONTACT SETS	2000 Vrms
OPEN CONTACTS	1200 Vrms
CONTACTS TO COIL	3750 Vrms

MAX SWITCHING POWER



RYTEC CORP.

Sheet: 1 of 1	Approved:	Drawn By: RHH
Date: 24-Apr-1998		Revision:
Size: B	Title: LX8/G POWER SWITCH MODULE	
Comments:	Number: 220050	