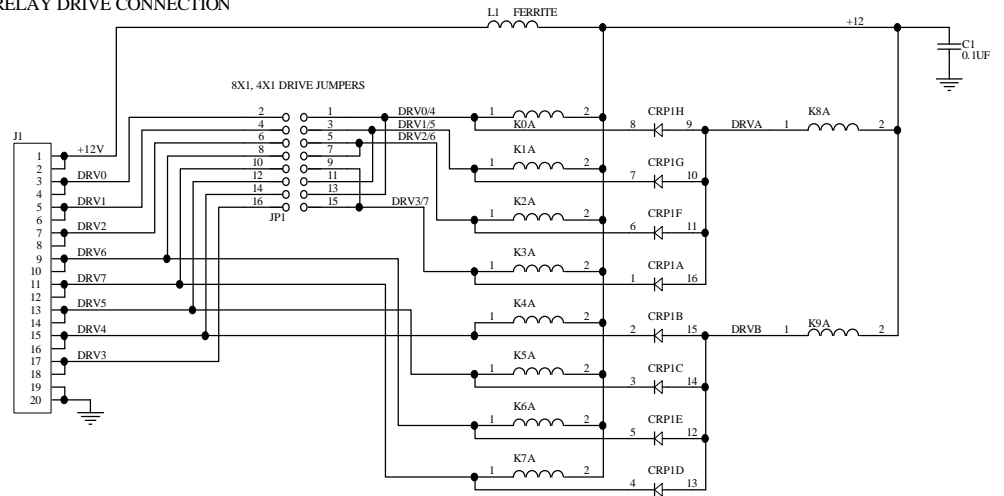
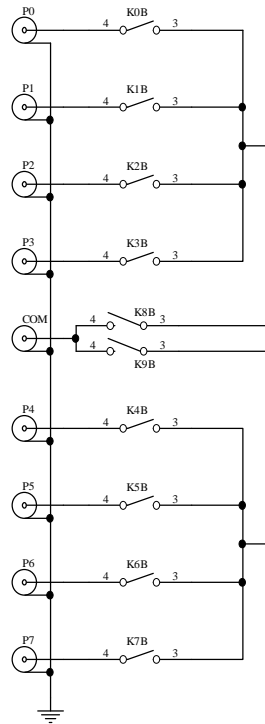


J1 - RELAY DRIVE CONNECTION



REVISED FROM:2-442-2



APPROVED BY	DRAWING NUMBER	DRAWN BY: RHB
DATE: 4/14/2005	21-14-51	REVISION:
SIZE: A3	TITLE: CXR/8X1-1S SWITCH MODULE	
21-14-51	SHEET 1 OF 1	