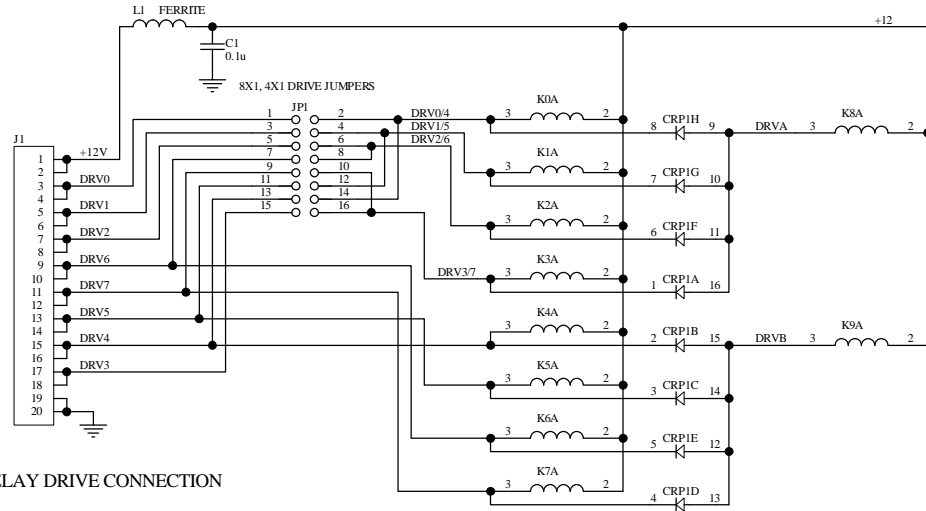


J1 - RELAY DRIVE CONNECTION



REVISED FROM:

YTEC CORP.		
APPROVED BY	DRAWING NUMBER	DRAWN BY: RHB
DATE: 6/16/2005	21-13-54	REVISION:
SIZE: B	TITLE: CXR/4X2-1LL-BNC	
21-13-54.SchDoc		SHEET 1 OF 1