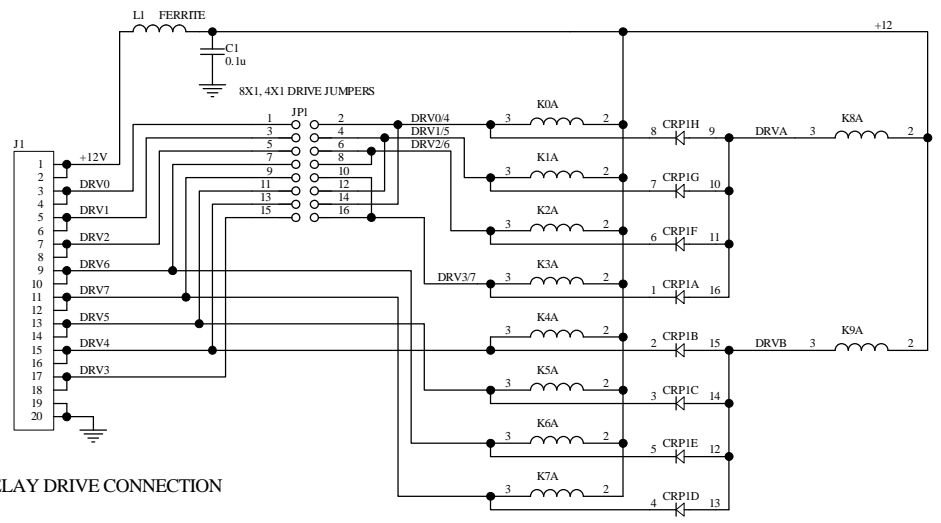


J1 - RELAY DRIVE CONNECTION



REVISED FROM:

YTEC CORP.		
APPROVED BY	DRAWING NUMBER	DRAWN BY: RHB
DATE: 6/16/2005	21-13-51	REVISION:
SIZE: B	TITLE: CXR/2(4X1)-LL-TRIAx	
21-13-51.SchDoc		SHEET 1 OF 1