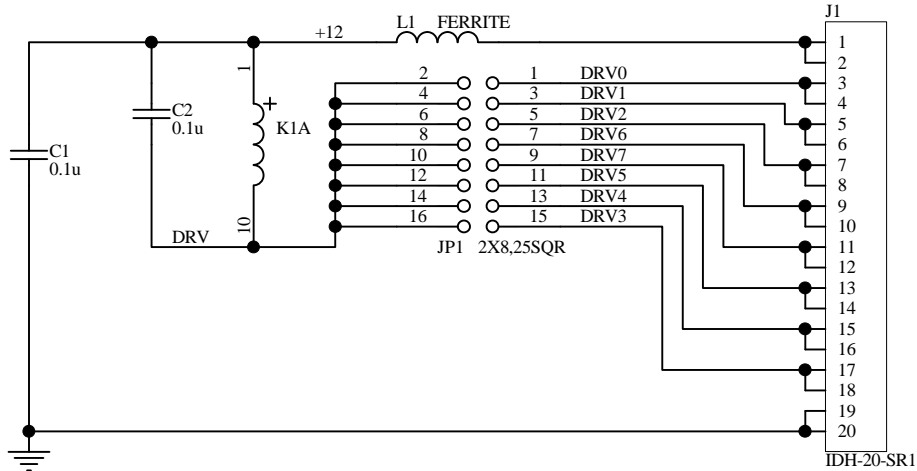
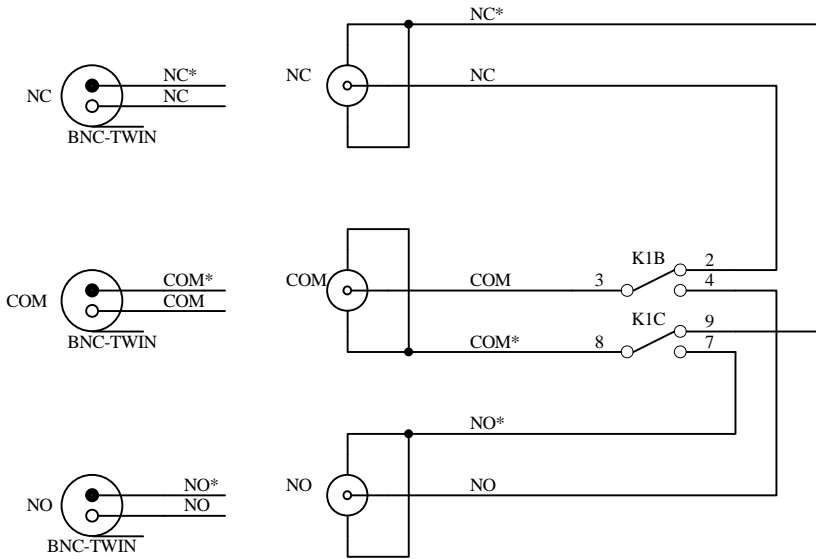
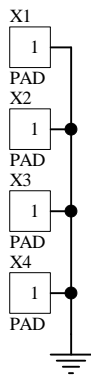


BNC



MOUNTING PADS



REVISED FROM:

YTEC CORP.

APPROVED BY	DRAWING NUMBER	DRAWN BY: RHB
DATE: 27-Jan-2004	21-00-50	REVISION:
SIZE: A	TITLE: CXR/2X1-C2	
M:\ENG\BDrawings\2100_99se\21-00-50.ddb - Documents\21-00-50		1 OF 1