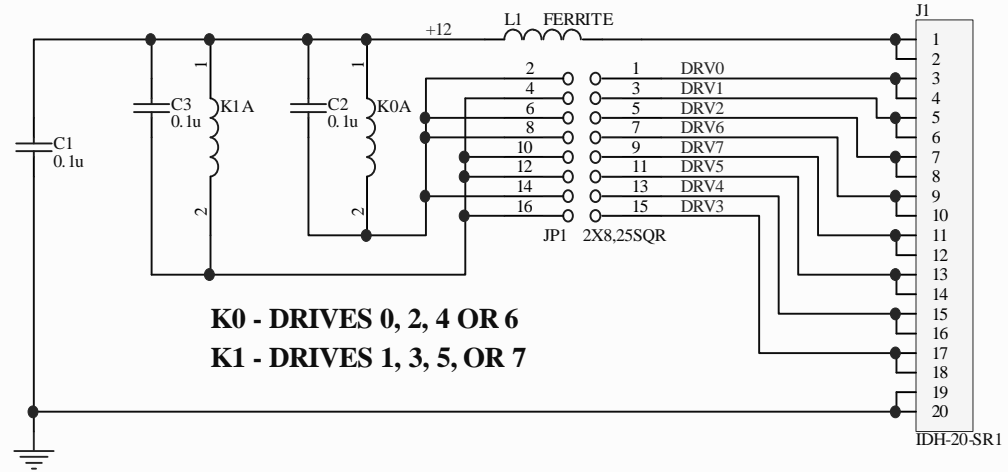
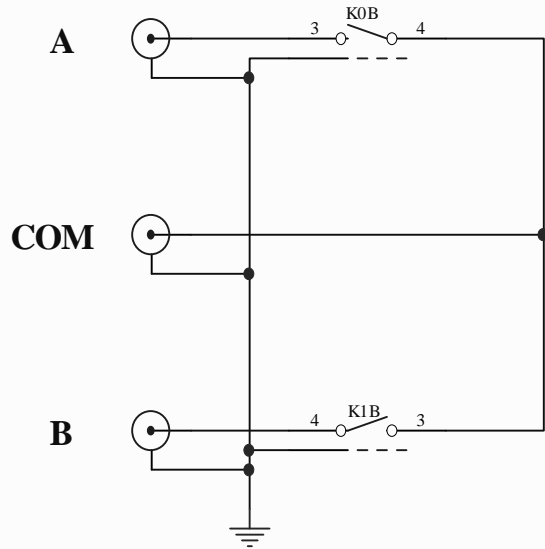
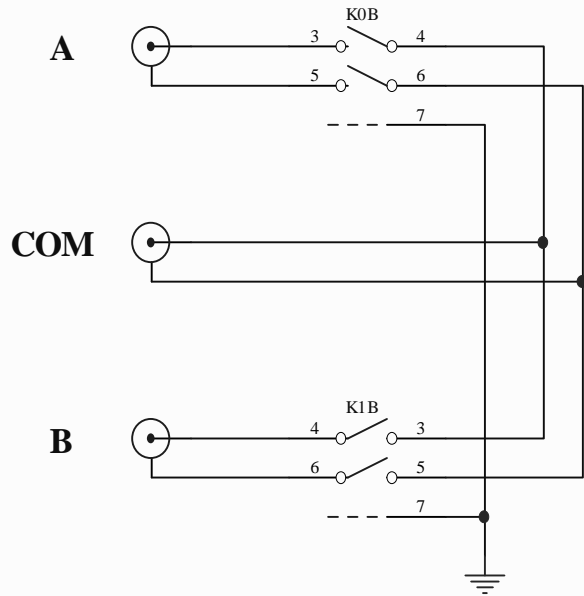


-1, SINGLE POLE



-2, TWO POLE



Sheet: 1 of 1

Approved:

Drawn By: RHH

Date: 5/24/2005

Revision:

Size:

Title:

A CXR/2X1 SWITCH MODULE

Comments:

CT/2 MODULE

Number:

2-101-1