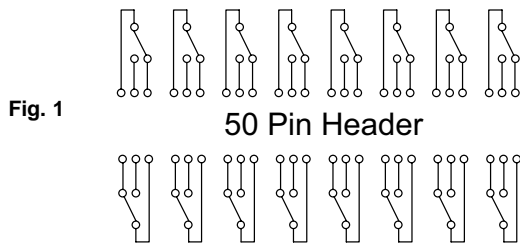


COMPACT PCI SWITCH MODULES

Compact PCI is an open standard that combines the high performance PCI bus with the rugged Eurocard format popularized by VME. Compact PCI uses off-the-shelf PCI silicon, design tools and software which lowers the overall development costs. CYTEC is currently designing a full range of Size 3U switch modules. The following four models are our first offering. All have signal connectors located at the front of the card. Software support is included.

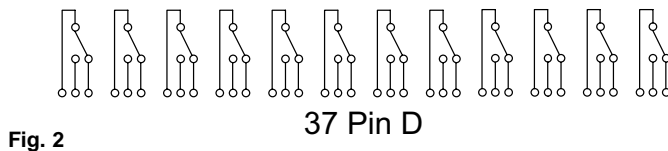
CPCI/KCA-16 SWITCH MODULE

This module features 16 individually controlled SPDT Form C Type A armature relays. These are suitable for switching instrumentation level signals. The signal I/O connector is a 50 pin header as shown in **Fig. 1**. **Price \$500.00**



CPCI/KCP-12 SWITCH MODULE

This switch module is built with 12 individually controlled SPDT Form C Type P power relays. These relays can switch up to 150 watts DC or 2000 VAC. The signal connector is a 25 pin D as shown in **Fig. 2**. **Price \$600.00**



RELAY SPECIFICATIONS

SPECIFICATION	TYPE P	TYPE A
Contact Rating	2000 VA / 150 W	30 VA
Switching Voltage	380 VRMS	110 VDC
Switching Current	5.0 A	1.0 A
Carrying Current	5.0 A	1.0 A
Breakdown Voltage	1000 VRMS	750 VDC
Operate Time MSec	10	3

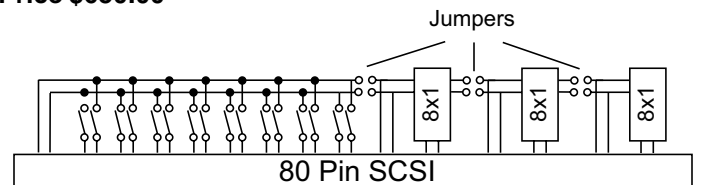
WARRANTY

CYTEC Corp. warrants that all products are free from defects in Material or Workmanship for a period of 5 years and that all switches are guaranteed for their Rated Operations.

CONTACT 1-800-346-3117 OR WWW.CYTEC-ATE.COM FOR TECHNICAL ASSISTANCE

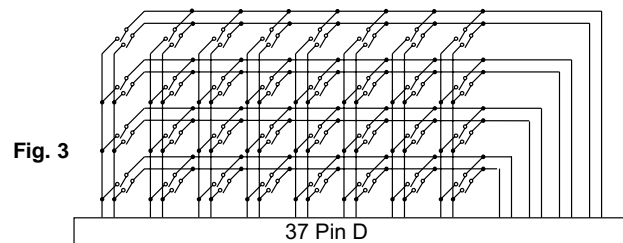
CPCI/4(8x1)-2A SWITCH MODULE

This switch module provides four individual 8x1 two pole multiplexers as shown in **Fig. 4**. Internal pin jumpers can be installed to create larger multiplexers - up to a 32x1 is possible. Signals are wired to 80 pin SCSI connector. **Price \$650.00**



CPCI/8x4-2A SWITCH MODULE

Each of these high density switch modules holds 32 two pole Type A armature relays, which are arranged as an 8x4 nonblocking matrix as shown in **Fig. 3**. Signal input and outputs are on a 37 pin D connector. **Price \$650.00**



NEW PRODUCT NEWS

CYTEC Corp., supplier of the most comprehensive range of Switching Systems, continues to expand its product line by offering the following New Products:

VDX/32x32 VIDEO OR RF MATRIX

These are nonblocking, full fan-out solid state matrices and are supplied in standard configurations from 1xN to 32x32 in a single 5.25" high, 19" rack mount chassis. Input and Output buffer amplifiers can be added to the basic switch fabric allowing a broad range of both 75 and 50 ohm impedance signals to be switched. Typical applications include 75 ohm Video, DS3/T3 or 50 ohm RF receiver systems. BNC connectors are standard, with SMA, Type F and SMB optionally available. Computer control is via RS232, IEEE488 Talk/Listen, 10-BaseT Ethernet LAN or USB.

SPECIFICATIONS

Bandpass (-3 dB)	160 MHz @ +/- 0.2 volt signal (unbuffered) 70 MHz @ +/- 2.0 volt signal (unbuffered)
Crosstalk Isolation	-70 dB @ 5 MHz -30 dB @ 100 MHz
Flatness	+/- 0.1 dB to 30 MHz



VDX/32x32 Matrix Chassis

Pricing:

Standard 75 ohm 32x32 Video Matrix w/GPIB or RS232 and Manual Control	\$ 9,950.00
Standard 50 ohm 32x32 RF Matrix w/GPIB or RS232 and Manual Control	\$13,950.00

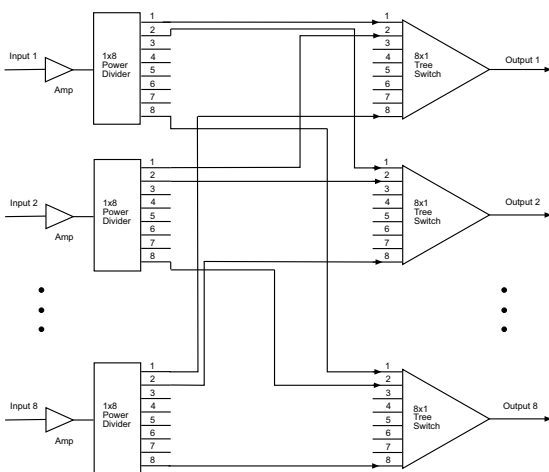
CYTEC can provide optional buffers to extend signal level range or change characteristic impedance. Smaller configuration sizes such as 1x32 multiplexers are available. Contact CYTEC for application assistance at **1-800-346-3117** or see the following URL for more details: www.cytec-ate.com/vdx.htm

CXF/8x8 or 4x8 FULL FANOUT 5-500MHz COAXIAL MATRIX

This system is a nonblocking (any input to any output), full fan-out (any input to any or all outputs) 50 ohm coaxial switch matrix available in 4x8 or 8x8 configurations. Larger configurations can be supplied using multiple switch chassis. Systems are available with BNC, SMA, TNC or Type N connectors. Computer control options include RS232, IEEE488 (GPIB), 10Base-T Ethernet LAN or USB. **For Details call 1-800-346-3117.**

SPECIFICATIONS

Bandpass	5 MHz to 500 MHz (+/- 2 dB)
Crosstalk Isolation	-65 dB @ 500 MHz
VSWR	< 1.6:1 to 500 MHz
Max Input Signal	+2.0 dBm
Impedance	50 ohms
Size	8x8 4x8
	7" high by 15.6" deep, 19" rack mount 5.25" high by 15.6" deep, 19" rack mount



Pricing:

CXF/4x8 Matrix w/GPIB or RS232 and Manual Control	\$ 7,890.00
CXF/8x8 Matrix w/GPIB or RS232 and Manual Control	\$11,950.00

CPCI-2

